

0CNP1-M99400EN

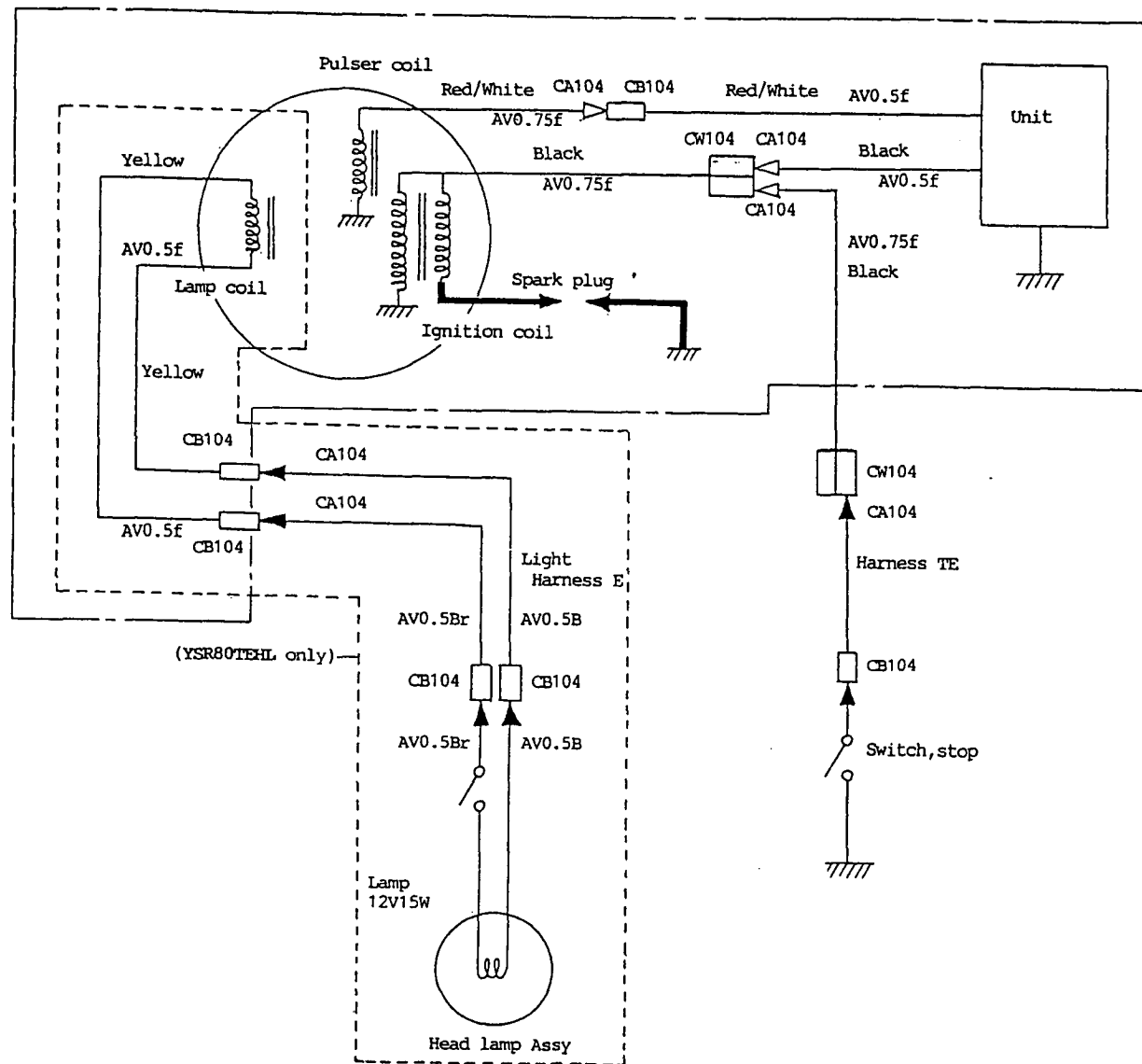
SPECIFICATIONS

Item		Model	YSR80T	YSR80TS
Body dimensions	Overall length	(mm)	1460	
	Overall width	(mm)	660	
	Overall height	(mm)	1120	
Overall weight		(kg)	119	127
Engine	Type		Air-cooled gasoline engine	
			GE77NJS	GE77NJSE
	Displacement	(cc)	306	
	Max. output	(PS/r.p.m.)	7.7 / 2000	
	Start method		Recoil starter	Recoil starter Electric starter
Battery			—	YUASA Y60-N24N(L)
			—	Or equiv. to 12V 30Ah(20HR)
Traveling unit	Crawler width	(mm)	120	
	Traveling transmission		Friction disc type	
	Speed change		4-forward and 1-reverse	
Snow throwing section	Snow throwing system		2-stage auger and blower type	
	Auger dia.	(mm)	350	
	Blower dia.	(mm)	298	
Snow throwing capacity	Snow cutting width	(mm)	660	
	Snow cutting height	(mm)	515	
	Snow throwing capacity	(t/h)	40	
	Snow throwing distance	(m)	14	

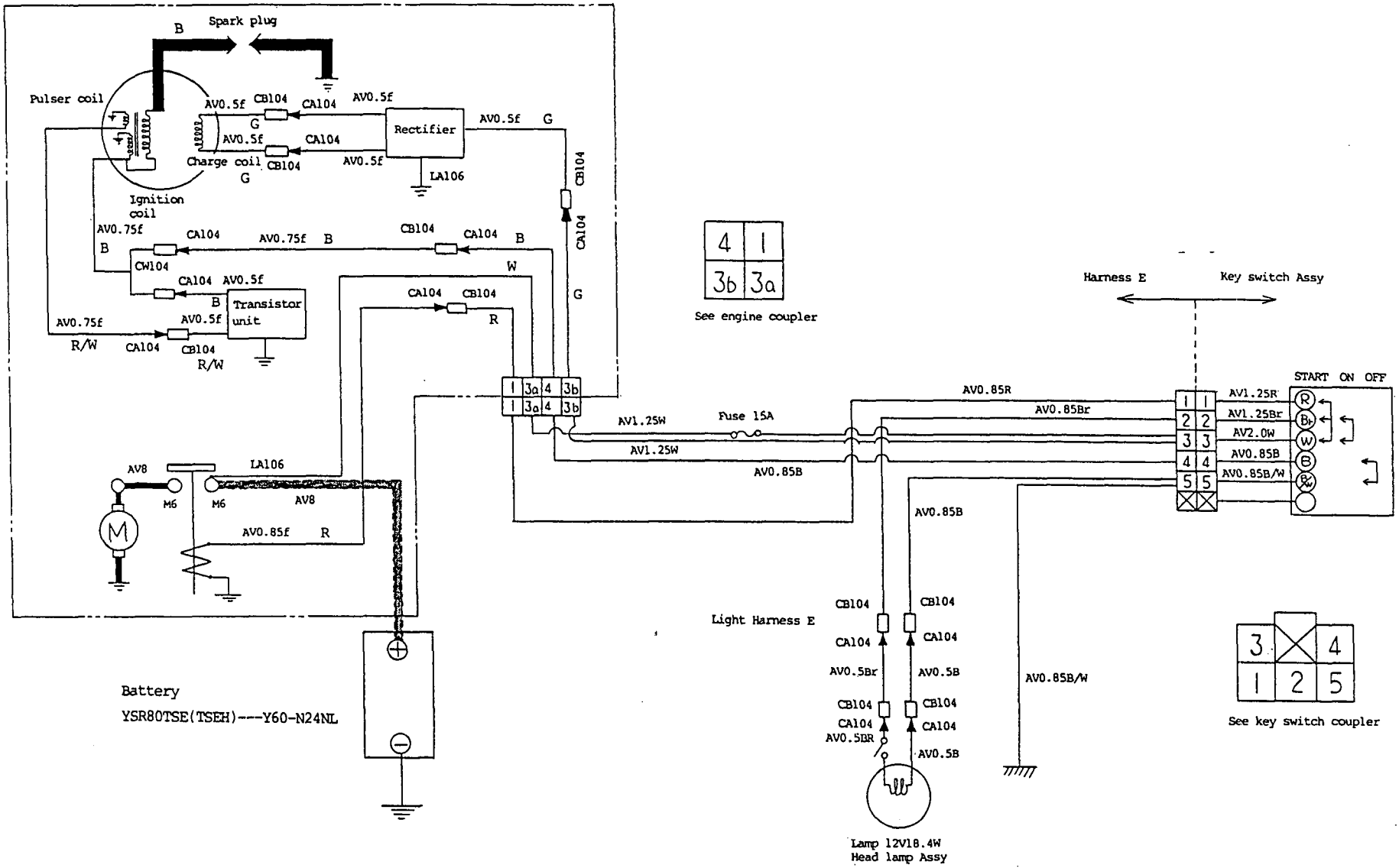
NOTE : Given Specifications may be altered for improvement, etc. without prior notice.

WIRING DIAGRAM

YSR80TE
YSR80TEHL



WIRING DIAGRAM
YSR80TSE
YSR80TSEH



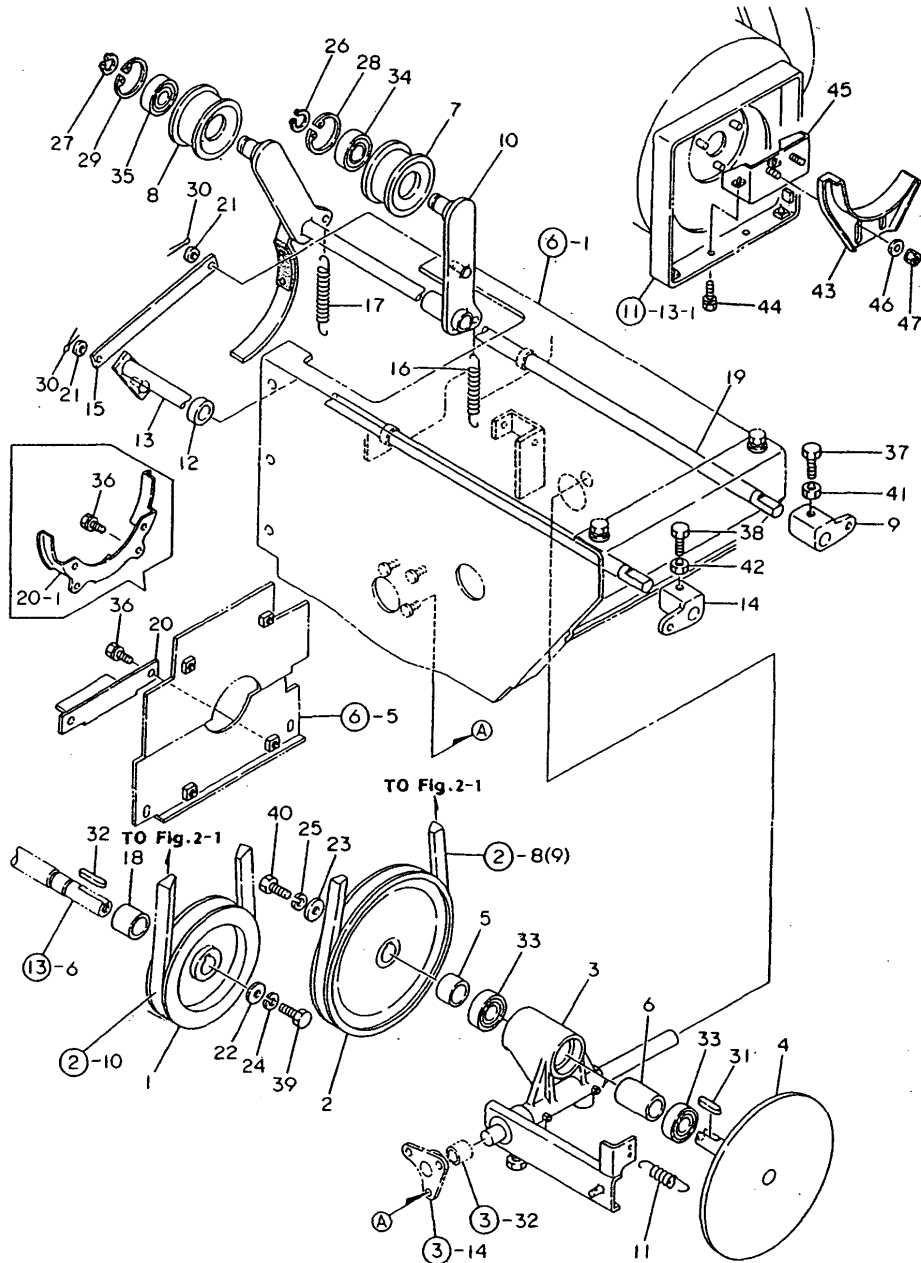
Contents

Fig. No.	Fig. Name
PULLEY & TENSION UNIT	
1.	BELT TRANSMISSION 1
2.	BELT TRANSMISSION 2
TRAVELING TRANSMISSION UNIT	
3.	TRAVELING DRIVE 1
TRAVELING & CONTROL UNIT	
4.	CONTROL 1
5.	CONTROL 2
6.	CHASSIS 1
7.	CHASSIS 2
8.	CRAWLER
ELECTRICAL PARTS UNIT	
9.	ENGINE & ELECTRICAL PARTS 1
10.	ENGINE & ELECTRICAL PARTS 2
SNOW REMOVING DEVICE UNIT	
11.	SNOW REMOVING FRAME
12.	CHUTE
13.	GEAR CASE
14.	AUGER
15.	BLOWER

Fig. No.	Fig. Name
TOOLS & ACCESSORIES UNIT	
16.	TOOLS
17.	ACCESSORIES E
LABELS UNIT	
18.	MARKS
19.	MARKS 13
TRAVELING & CONTROL UNIT	
20.	TIRE (ADDED GROUP)

Fig.1. BELT TRANSMISSION 1

1. BELT TRANSMISSION 1



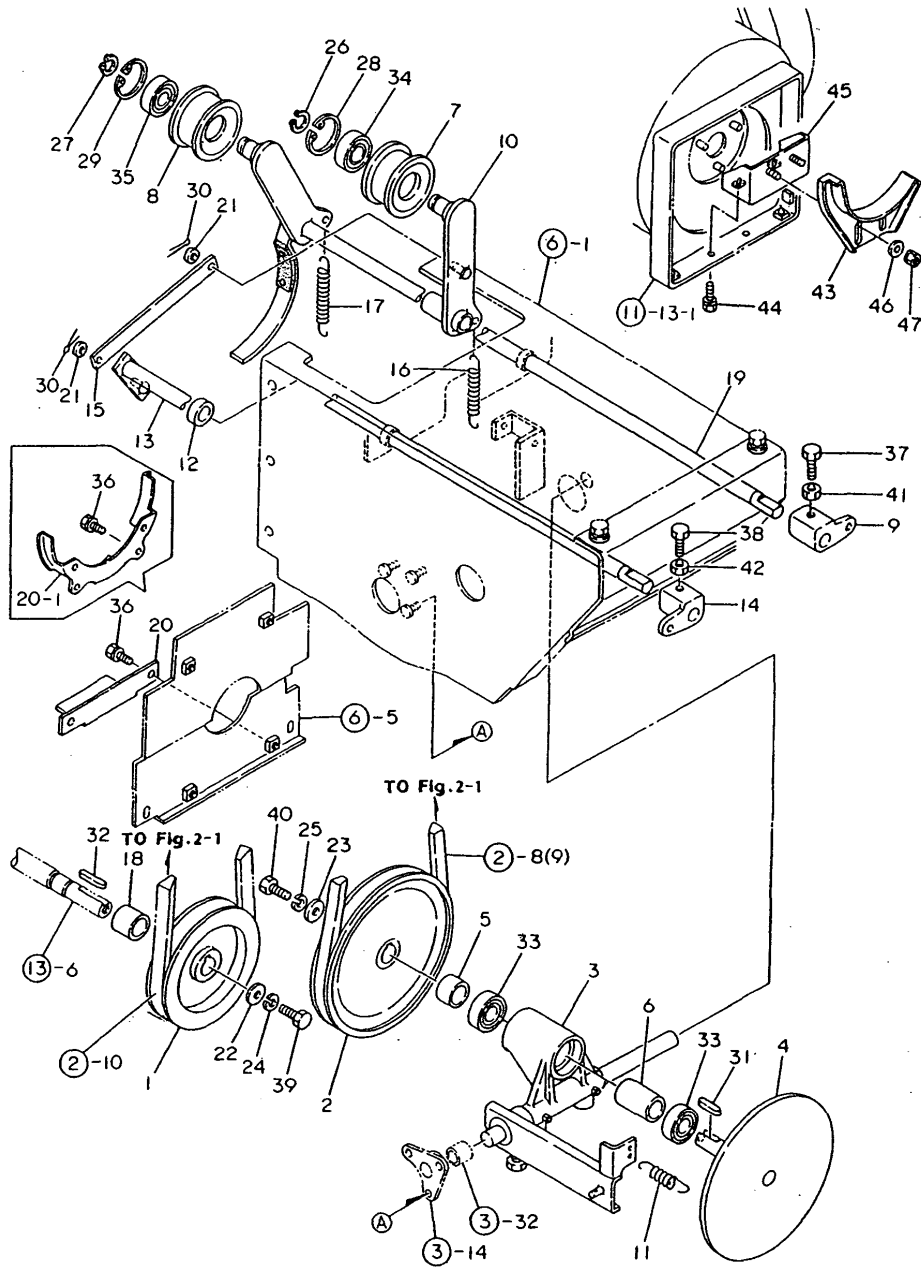
(A)=YSR80TE
(B)=YSR80TEHL
(C)=YSR80TSE

(D)=YSR80TSEH
(E)=YSR80TEL
(F)=YSR80TEW

No.	Lev.	Parts No.	Description	Q'ty						I	R
				(A)	(B)	(C)	(D)	(E)	(F)		
1	1	1N1711-12010	PULLEY 128B	1	1	1	1				
1-1	1	1N1721-12350	PULLEY 135B	1	1	1	1	1	1	1	S
		(A=F810001) (B=F810001) (C=F810001) (D=F810001)									
2	1	1N1711-12030	PULLEY 160A COMPL	1	1	1	1	1	1	1	
3	1	1N1720-12071	HOUSING COMP.,CLUTCH	1	1	1	1	1	1	1	
4	1	1N1720-12080	SHAFT COMPL.,PULLEY	1	1	1	1				
4-1	1	1N1720-12081	SHAFT COMP.,PULLEY	1	1	1	1	1	1	1	N
		(A=F810001) (B=F810001) (C=F810001) (D=F810001)									
5	1	1N1720-12110	COLLAR 18X25X16	1	1	1	1	1	1	1	
6	1	1N1570-12200	COLLAR 18X25X40	1	1	1	1	1	1	1	
7	1	1N1711-12200	PULLEY,TENSION	1	1	1	1	1	1	1	
8	1	1N1711-12200	PULLEY,TENSION	1	1	1	1				
8-1	1	1N1721-12360	PULLEY 59,TENSION	1	1	1	1	1	1	1	S
		(A=F810001) (B=F810001) (C=F810001) (D=F810001)									
9	1	1N1710-12240	PLATE A,CAM	1	1	1	1	1	1	1	
10	1	1N1720-12251	ARM,RUNNING TENSION	1	1	1	1	1	1	1	
11	1	1N1570-12280	SPRING,CLUTCH	1	1	1	1	1	1	1	
12	1	1N1711-12280	COLLAR 13X20X5	1	1	1	1	1	1	1	
13	1	1N1720-12300	SHAFT,SIDE TENSION	1	1	1	1	1	1	1	
14	1	1N1710-12320	PLATE B,CAM	1	1	1	1	1	1	1	
15	1	1N1720-12320	PLATE,CONNECTING	1	1	1	1	1	1	1	
16	1	1N1570-12350	SPRING,RETURN	1	1	1	1	1	1	1	
17	1	1N1710-12400	SPRING B,RETURN	1	1	1	1	1	1	1	
18	1	1N1721-12700	COLLAR	1	1	1	1	1	1	1	
19	1	1N1721-13000	SHAFT,AUGER TENSION	1	1	1	1				
19-1	1	1N1721-13001	SHAFT,AUGER TENSION	1	1	1	1	1	1	1	S
		(A=F810001) (B=F810001) (C=F810001) (D=F810001)									
19-2	1	1N1721-13002	SHAFT,AUGER TENSION		1		1			1	R
		(B=F810102) (D=F810041) (F=F810052)									
20	1	1N1710-82250	BELT,GUIDE	1	1	1	1				
20-1	1	1N1710-82251	GUIDE,BELT	1	1	1	1	1	1	1	S
		(A=F810001) (B=F810001) (C=F810001) (D=F810001)									
21	1	22117-060000	WASHER, 6	2	2	2	2	2	2	2	
22	1	22157-080000	WASHER, 8	1	1	1	1	1	1	1	
23	1	22157-080000	WASHER, 8	1	1	1	1	1	1	1	
24	1	22217-080000	WASHER, SPRING 8	1	1	1	1	1	1	1	
25	1	22217-080000	WASHER, SPRING 8	1	1	1	1	1	1	1	
26	1	22242-000150	RING, 15	1	1	1	1	1	1	1	
27	1	22242-000150	RING, 15	1	1	1	1	1	1	1	
28	1	22252-000350	RING, 35	1	1	1	1	1	1	1	
29	1	22252-000350	RING, 35	1	1	1	1	1	1	1	
30	1	22417-200120	COTTER PIN 2.0X12	2	2	2	2	2	2	2	
31	1	22512-050150	KEY, 5X 15	1	1	1	1	1	1	1	
32	1	22512-050300	KEY, 5X 30	1	1	1	1	1	1	1	
33	1	24104-060034	BEARING, BALL 6003UU	2	2	2	2	2	2	2	
34	1	24107-062020	BEARING, 620ZZC3	1	1	1	1	1	1	1	
35	1	24107-062020	BEARING, 620ZZC3	1	1	1	1	1	1	1	
36	1	26018-060124	BOLT M 6X 12	2	2	2	2	2	2	2	
37	1	26116-080202	BOLT, M8X 20 PLATED	1	1	1	1	1	1	1	
38	1	26116-080202	BOLT, M8X 20 PLATED	1	1	1	1	1	1	1	
39	1	26116-080252	BOLT, M8X 25 PLATED	1	1	1	1	1	1	1	

Fig.1. BELT TRANSMISSION 1

1 . BELT TRANSMISSION 1



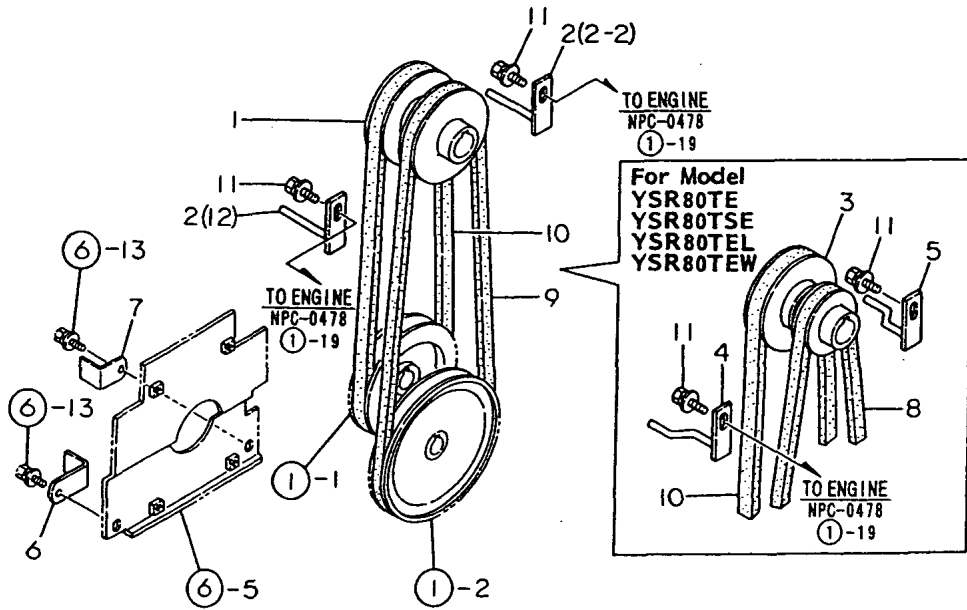
(A)=YSR80TE
(B)=YSR80TEHL
(C)=YSR80TSE
(D)=YSR80TSEH
(E)=YSR80TEL
(F)=YSR80TEW

No.	Lev.	Parts No.	Description	Q'ty						I	R
				(A)	(B)	(C)	(D)	(E)	(F)		
40	1	26116-080252	BOLT, M8X 25 PLATED	1	1	1	1	1	1		
41	1	26717-080002	NUT, M8	1	1	1	1	1	1		
42	1	26717-080002	NUT, M8	1	1	1	1	1	1		
43	1	1N1721-13180 (A=F810001) (B=F810001) (C=F810001) (D=F810001)	GUIDE COMP.,PULLEY	1	1	1	1	1	1	1	W
43-1	1	1N1721-13181 (B=F810102) (D=F810041)	GUIDE,PULLEY		1		1			1	N
44	1	26016-080162 (A=F810001) (B=F810001) (C=F810001) (D=F810001)	BOLT, M8X 16	2	2	2	2	2	2	2	W
45	1	1N1721-13200 (A=F810001) (B=F810001) (C=F810001) (D=F810001)	STAY,GUIDE	1	1	1	1	1	1	1	W
46	1	22137-080000 (A=F810001) (B=F810001) (C=F810001) (D=F810001)	WASHER, 8	2	2	2	2	2	2	2	W
47	1	26051-080002 (A=F810001) (B=F810001) (C=F810001) (D=F810001)	NUT, M8	2	2	2	2	2	2	2	W

N052041

Fig.2. BELT TRANSMISSION 2

2 . BELT TRANSMISSION 2

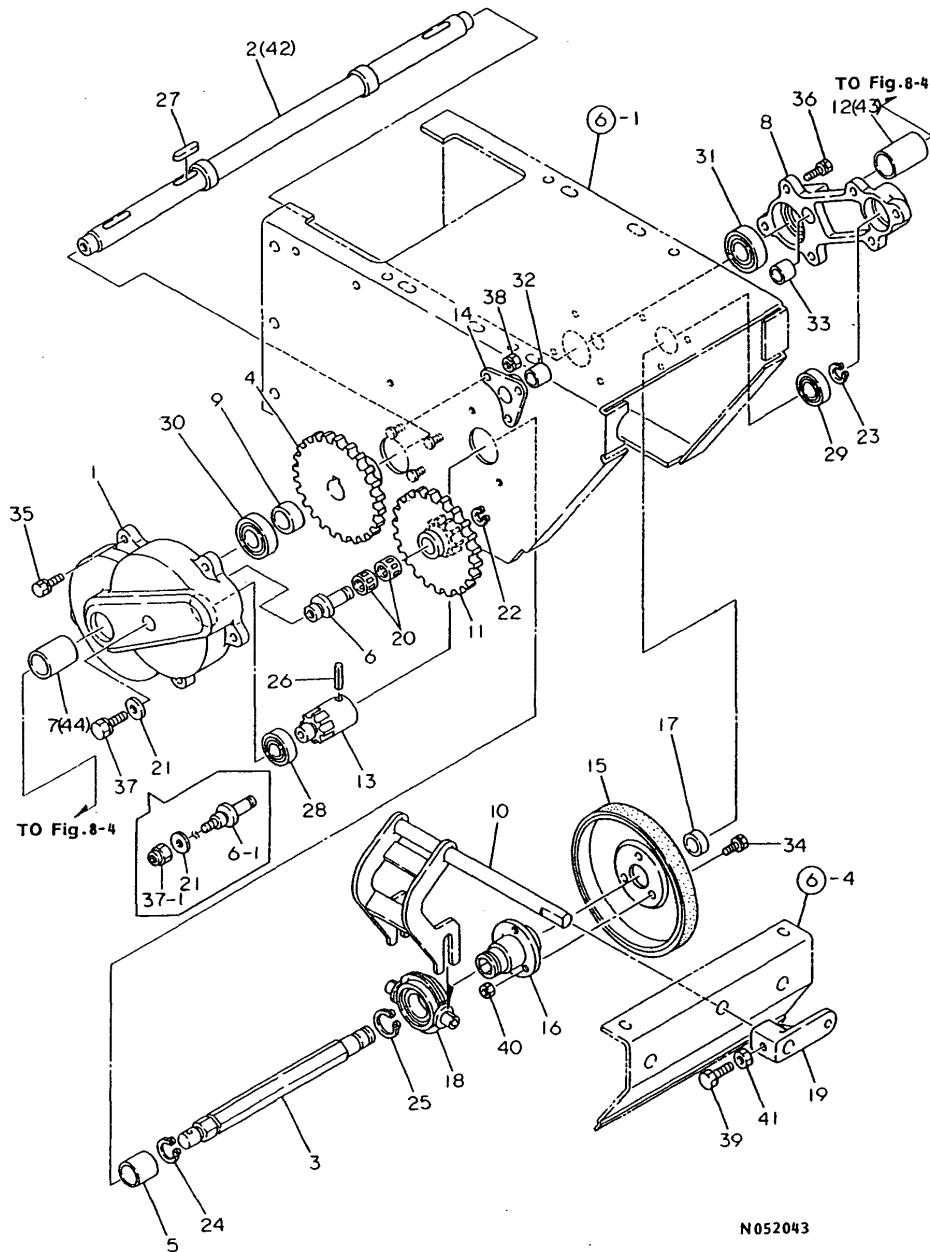


N052042

No.	Lev.	Parts No.	Description	Q'ty						I	R	
				(A)	(B)	(C)	(D)	(E)	(F)			
1	1	1N1721-13050	PULLEY EH,ENGINE		1		1					
1-1	1	1N1721-13051 (B=F810001)	PULLEY EH,ENGINE (D=F810001)		1		1					S
2	1	1N1721-13060	RETAINER EH,BELT		2		2					
2-1	1	1N1721-13061 (B=F810001)	RETAINER EH,BELT (D=F810001)		2		2					S
2-2	1	1N1721-13061 (B=FXXXXXX)	RETAINER EH,BELT (D=FXXXXXX)		1		1					K
3	1	1N1721-13100	PULLEY,ENGINE	1		1						
3-1	1	1N1721-13101 (A=F810001)	PULLEY E,ENGINE (C=F810001)	1		1		1	1			S
4	1	1N1721-13120	RETAINER EA,BELT	1		1						
4-1	1	1N1721-13121 (A=F810001)	RETAINER EA,BELT (C=F810001)	1		1						S
4-2	1	1N1721-13122 (A=F810001)	RETAINER EA,BELT (C=F810001)	1		1		1	1			N
5	1	1N1721-13130	RETAINER EB,BELT	1		1						
5-1	1	1N1721-13131 (A=F810001)	RETAINER EB,BELT (C=F810001)	1		1						S
5-2	1	1N1721-13132 (A=F810001)	RETAINER EB,BELT (C=F810001)	1		1		1	1			N
6	1	1N1721-13150 (A=F810001)	GUIDE 80EL,BELT (B=F810001) (C=F810001) (D=F810001)	1	1	1	1					Z
7	1	1N1721-13160 (A=F810001)	GUIDE 80ER,BELT (B=F810001) (C=F810001) (D=F810001)	1	1	1	1					Z
8	1	25122-003401	V-BELT, A34H	1		1		1	1			
9	1	25122-003601	V-BELT, A36H		1		1					
10	1	25123-003001	V-BELT, B30H	1	1	1	1					
10-1	1	25123-003101 (A=F810001)	V-BELT, B31H (B=F810001) (C=F810001) (D=F810001)	1	1	1	1	1	1	1		S
10-2	1	25123-003201	V-BELT, B32H									1 S
												(F=F810052)
11	1	26018-080204	BOLT M 8X 20	2	2	2	2	2	2			
12	1	1N1721-13070 (B=F810001)	RETAINER EHB,BELT (D=F810001)		1		1					W

Fig.3. TRAVELING DRIVE 1

3. TRAVELING DRIVE 1



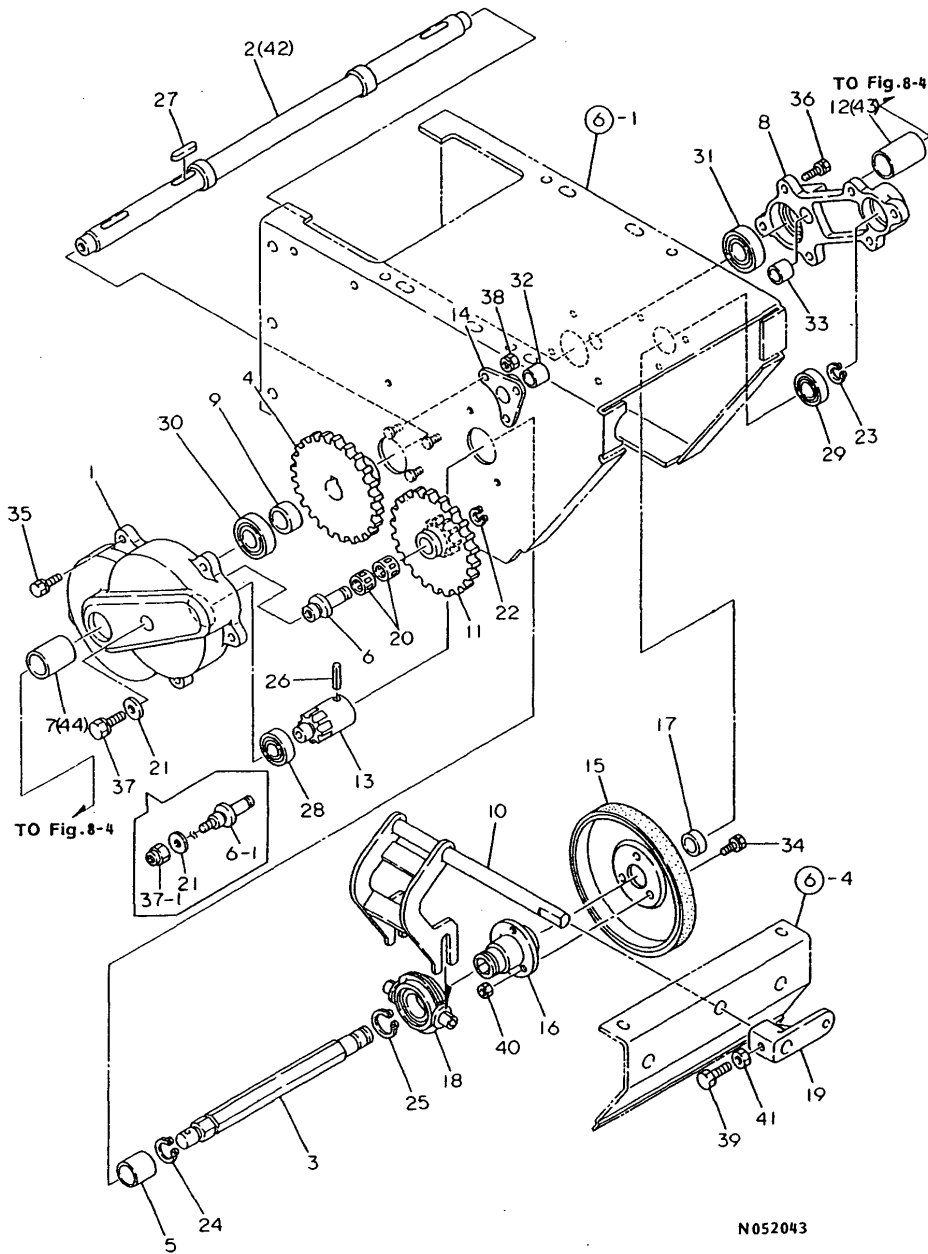
(A)=YSR80TE
(B)=YSR80TEHL
(C)=YSR80TSE
(D)=YSR80TSEH
(E)=YSR80TEL
(F)=YSR80TEW

No.	Lev.	Parts No.	Description	Qty						I	R
				(A)	(B)	(C)	(D)	(E)	(F)		
1	1	1N1710-21001	CASE,REDUCTION GEAR	1	1	1	1	1	1		
2	1	1N1720-21000	SHAFT COMPL.,DRIVE	1	1	1	1	1	1		
3	1	1N1721-21000	SHAFT.SLIDE	1	1	1	1	1	1		
3-1	1	1N1721-21001	SHAFT,SLIDE	1	1	1	1	1	1	1	S
		(A=F810001) (B=F810001) (C=F810001) (D=F810001)									
4	1	1N1710-21010	GEAR,SPUR	1	1	1	1	1	1		
5	1	1N1721-21010	COLLAR	1	1	1	1	1	1		
6	1	1N1710-21021	SHAFT,NEEDLE	1	1	1	1	1	1		
6-1	1	1N1710-21022	SHAFT,NEEDLE	1	1	1	1	1	1	1	S
		(A=F810001) (B=F810001) (C=F810001) (D=F810001)									
7	1	1N1720-21020	CIRCLIP 20-S	1	1	1	1	1	1		
8	1	1N1720-21061	CASE,BEARING	1	1	1	1	1	1		
8-1	1	1N1720-21062	CASE,BEARING	1	1	1	1	1	1	1	S
		(A=F810001) (B=F810001) (C=F810001) (D=F810001)									
9	1	1N1570-21070	COLLAR 21X27X13	1	1	1	1	1	1		
10	1	1N1720-21071	LEVER,CHANGE	1	1	1	1	1	1		
11	1	1N1570-21090	GEAR,2-STAGE SPUR	1	1	1	1	1	1		
12	1	1N1720-21090	COLLAR 21X27X67	1	1	1	1	1	1		
13	1	1N1570-21100	PINION	1	1	1	1	1	1		
14	1	1N1570-21170	FLANGE	1	1	1	1	1	1		
15	1	1N1570-21200	PLATE,FRICTION	1	1	1	1	1	1		
16	1	1N1720-21210	SEAT,FRICT'N PL.MTG.	1	1	1	1	1	1		
16-1	1	1N1720-21211	SEAT,FRICT'N PL.MTG.	1	1	1	1	1	1	1	S
		(A=F810001) (B=F810001) (C=F810001) (D=F810001)									
17	1	1N1720-21230	COLLAR 15X22X6	1	1	1	1	1	1		
17-1	1	1N1720-21231	COLLAR 15X25X10	1	1	1	1	1	1	1	S
		(A=F810001) (B=F810001) (C=F810001) (D=F810001)									
18	1	1N1570-21300	SLIDER,CLUTCH	1	1	1	1	1	1		
19	1	1N1710-21320	PLATE C,CAM	1	1	1	1	1	1		
20	1	1N1570-21600	BEARING	2	2	2	2	2	2	2	
21	1	22157-080000	WASHER, 8	1	1	1	1	1	1		
22	1	22242-000120	RING, 12	1	1	1	1	1	1		
23	1	22242-000150	RING, 15	1	1	1	1	1	1		
24	1	22242-000190	RING, 19	1	1	1	1	1	1		
25	1	22242-000250	RING, 25	1	1	1	1	1	1		
26	1	22351-060025	PIN, SPRING 6.0X25	1	1	1	1	1	1		
27	1	22512-050300	KEY, 5X 30	1	1	1	1	1	1		
28	1	24104-060024	BEARING, BALL 6002UU	1	1	1	1	1	1		
29	1	24104-060024	BEARING, BALL 6002UU	1	1	1	1	1	1		
29-1	1	24104-062024	BEARING, BALL 6202UU	1	1	1	1	1	1	1	S
		(A=F810001) (B=F810001) (C=F810001) (D=F810001)									
30	1	24104-060044	BEARING, BALL 6004UU	1	1	1	1	1	1		
31	1	24104-060044	BEARING, BALL 6004UU	1	1	1	1	1	1		
32	1	24550-015150	BUSH, 15X15	1	1	1	1	1	1		
33	1	24550-015150	BUSH, 15X15	1	1	1	1	1	1		
34	1	26016-060164	BOLT 6X16 W/L.W.	3	3	3	3	3	3		
35	1	26016-060204	BOLT M 6X 20	5	5	5	5	5	5		
36	1	26016-060204	BOLT M 6X 20	6	6	6	6	6	6		
37	1	26016-080204	BOLT M 8X 20	1	1	1	1	1	1		
37-1	1	26347-080002	NUT, M8	1	1	1	1	1	1	1	S
		(A=F810001) (B=F810001) (C=F810001) (D=F810001)									

N:Old $\frac{Yes}{No}$ New, Q:Old $\frac{No}{Yes}$ New, R:Old $\frac{Yes}{Yes}$ New, S:Old $\frac{No}{No}$ New, W:Add, Z:Discontinued, F:Interchangeable by set, K:Q'ty Change
 ++ CONTINUE ++
 Copyright (C) YANMAR CO., LTD. All Rights Reserved.

Fig.3. TRAVELING DRIVE 1

3. TRAVELING DRIVE 1



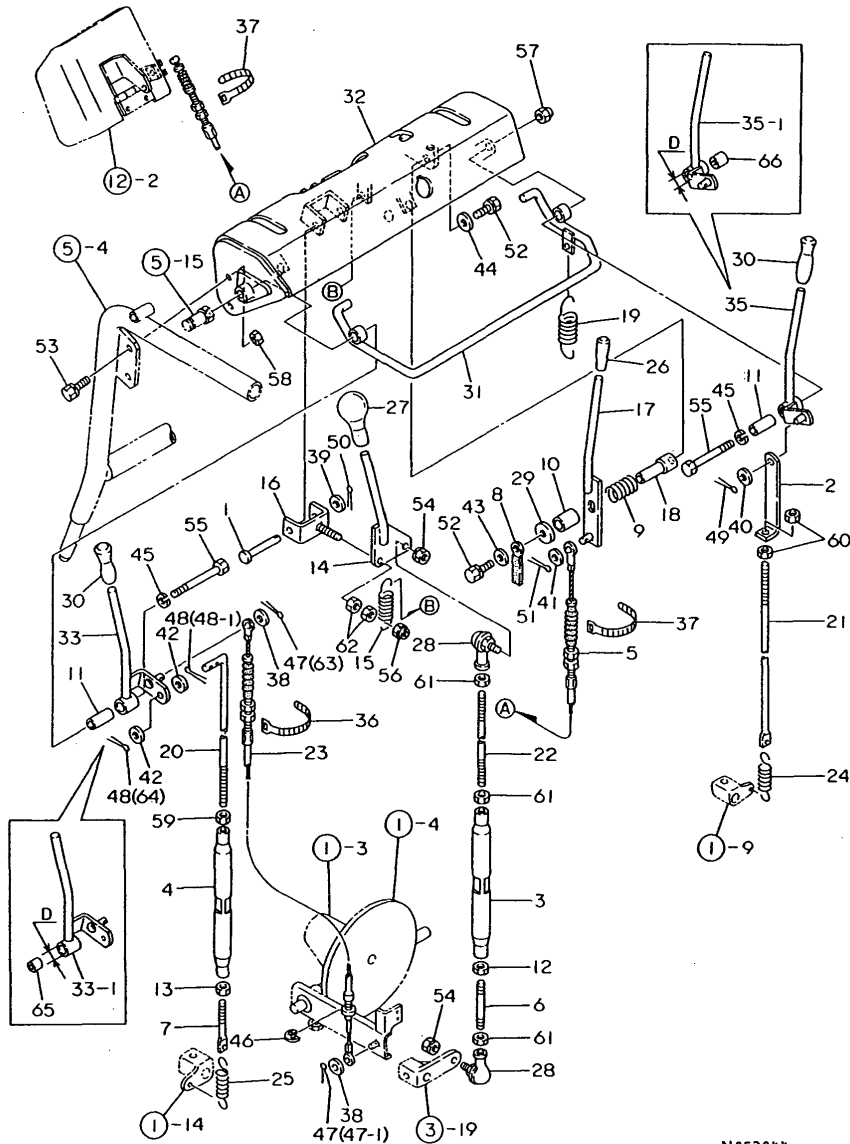
N052043

(A)=YSR80TE (D)=YSR80TSEH
 (B)=YSR80TEHL (E)=YSR80TEL
 (C)=YSR80TSE (F)=YSR80TEW

No.	Lev.	Parts No.	Description	Q'ty						I	R
				(A)	(B)	(C)	(D)	(E)	(F)		
38	1	26051-060002	NUT, M6	3	3	3	3	3	3		
39	1	26116-080202	BOLT, M8X 20 PLATED	1	1	1	1	1	1		
40	1	26717-060002	NUT, M6	3	3	3	3	3	3		
41	1	26717-080002	NUT, M8	1	1	1	1	1	1		
42	1	1N1721-21500	SHAFT COMP,DRIVE								1
43	1	1N1711-21520	COLLAR 21X27X80								1
44	1	1N1711-21530	COLLAR 21X27X54								1

Fig.4. CONTROL 1

4. CONTROL 1



N052044

Remarks

(1) D=12.2MM FOR REF.NO.33 OR 35
WHILE REF.NO.33-1 OR 35-1 HAS
D=14MM.

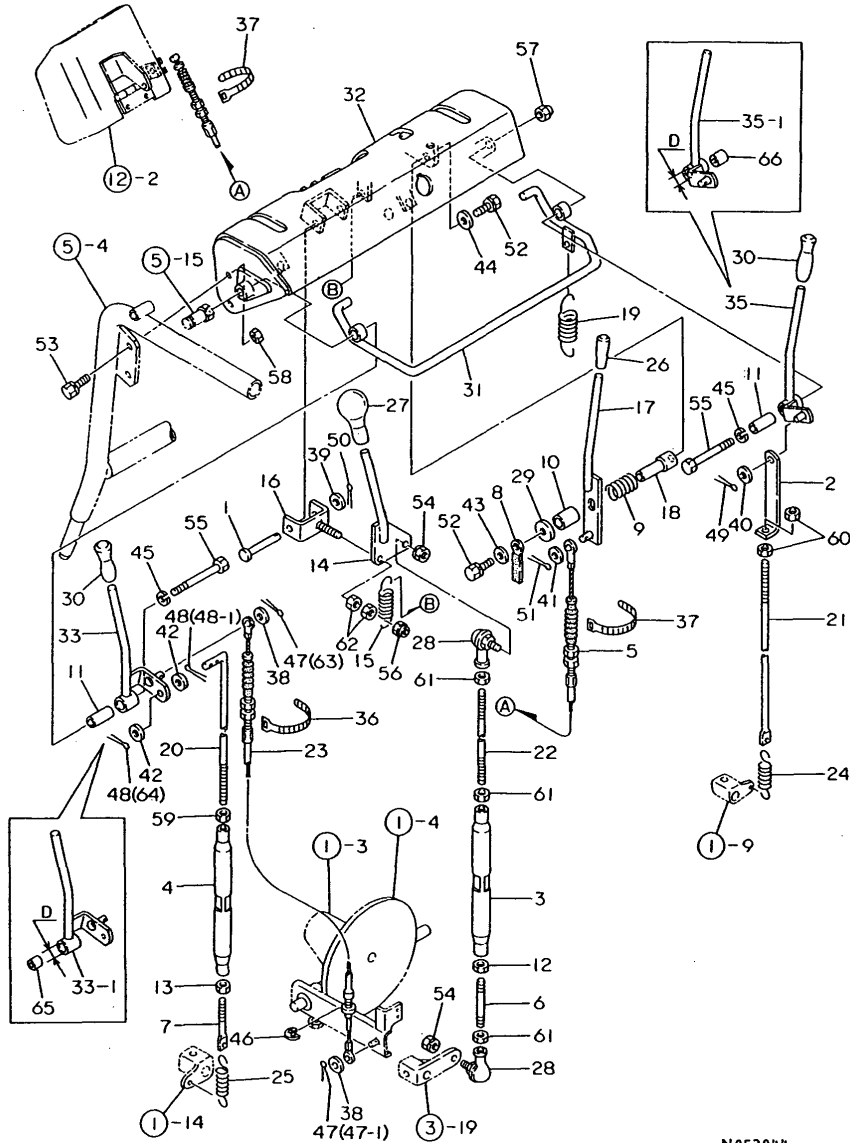
(A)=YSR80TE
(B)=YSR80TEHL
(C)=YSR80TSE

(D)=YSR80TSEH
(E)=YSR80TEL
(F)=YSR80TEW

No.	Lev.	Parts No.	Description	Qty						I	R
				(A)	(B)	(C)	(D)	(E)	(F)		
1	1	1N1710-32150	RIVET 6X55	1	1	1	1	1	1		
2	1	1N1710-32280	ROD,AUGER	1	1	1	1	1	1		
3	1	1N1570-32290	TURNBUCKLE	1	1	1	1	1	1		
4	1	1N1570-32290	TURNBUCKLE	1	1	1	1	1	1		
5	1	1N1720-32300	WIRE B,CHUTE ADJUST.	1	1	1	1				
5-1	1	1N1721-34140	WIRE B,CHUTE ADJUST.	1	1	1	1	1	1		N
		(A=F810001) (B=F810001) (C=F810001) (D=F810001)									
6	1	1N1570-32320	ROD B,CHANGE LEVER	1	1	1	1	1	1		
7	1	1N1710-32380	BOLT 8X100 W/PIPE	1	1	1	1	1	1		
8	1	1N1710-32600	CLAMP 8X70	1	1	1	1	1	1		
9	1	1N1570-32760	SPRING B 27X42	1	1	1	1	1	1		
10	1	1N1570-32770	COLLAR 13X20X27	1	1	1	1	1	1		
11	1	1N1710-32851	COLLAR	2	2	2	2	2	2		
11-1	1	1N1710-32852	COLLAR		2		2		2		N
		(B=F810102) (D=F810041) (F=F810052)									
12	1	1N1570-32950	NUT 8	1	1	1	1	1	1		
13	1	1N1570-32950	NUT 8	1	1	1	1	1	1		
14	1	1N1710-32960	LEVER,CHANGE	1	1	1	1	1	1		
15	1	1N1710-32980	SPRING B,CHG.LEVER	1	1	1	1	1	1		
16	1	1N1710-33000	YOKE B,CHANGE	1	1	1	1	1	1		
17	1	1N1710-33050	LEVER,CHUTE ADJUST'G	1	1	1	1	1	1		
18	1	1N1710-33080	SHAFT 12X37	1	1	1	1	1	1		
19	1	1N1710-33150	SPRING,SAFETY LEVER	1	1	1	1	1	1		
19-1	1	1N1710-33151	SPRING,SAFETY LEVER	1	1	1	1	1	1		N
		(A=F810001) (B=F810001) (C=F810001) (D=F810001)									
20	1	1N1711-35200	BOLT E	1	1	1	1	1	1		
21	1	1N1711-35210	BOLT	1	1	1	1	1	1		
21-1	1	1N1711-35211	BOLT E W/PIPE	1	1	1	1	1	1		R
		(A=F810001) (B=F810001) (C=F810001) (D=F810001)									
22	1	1N1711-35220	ROD E,CHANGE LEVER	1	1	1	1	1	1		
23	1	1N1711-35250	WIRE E,CLUTCH	1	1	1	1	1	1		
24	1	1S0139-42150	SPRING A 18X66	1	1	1	1	1	1		
25	1	1S0139-42150	SPRING A 18X66	1	1	1	1	1	1		
26	1	1A1140-58050	GRIP, STAND	1	1	1	1	1	1		
27	1	1A1040-58160	HANDLE, LEVER	1	1	1	1	1	1		
28	1	1S6002-61160	BALL 8,LINK	2	2	2	2	2	2		
29	1	1F1150-64270	WASHER 7X30X2,PLAIN	1	1	1	1	1	1		
30	1	1E6025-65310	GRIP, LEVER	2	2	2	2	2	2		
31	1	1N1710-82081	SAFETY LEVER	1	1	1	1	1	1		
31-1	1	1N1710-82082	LEVER COMP.,INTERLOC	1	1	1	1	1	1		N
		(A=F810001) (B=F810001) (C=F810001) (D=F810001)									
32	1	1N1710-82401	BOX E COMP.,CONTROL	1	1	1	1	1	1		
33	1	1N1710-82421	LEVER,SIDE CLUTCH	1	1	1	1	1	1		
33-1	1	1N1710-82422	LEVER, DRIVE CLUTCH		1		1		1		S 1
		(B=F810102) (D=F810041) (F=F810052)									
35	1	1N1710-82441	LEVER,AUGER CLUTCH	1	1	1	1	1	1		
35-1	1	1N1711-35470	LEVER, AUGER CLUTCH		1		1		1		S 1
		(B=F810102) (D=F810041) (F=F810052)									
36	1	1E6460-83400	BAND 100	1	1	1	1	1	1		
37	1	1E6460-83400	BAND 100	2	2	2	2	2	2		
38	1	22117-060000	WASHER, 6	2	2	2	2	2	2		

Fig.4. CONTROL 1

4. CONTROL 1



N052044

Remarks

(1) D=12.2MM FOR REF.NO.33 OR 35
WHILE REF.NO.33-1 OR 35-1 HAS
D=14MM.

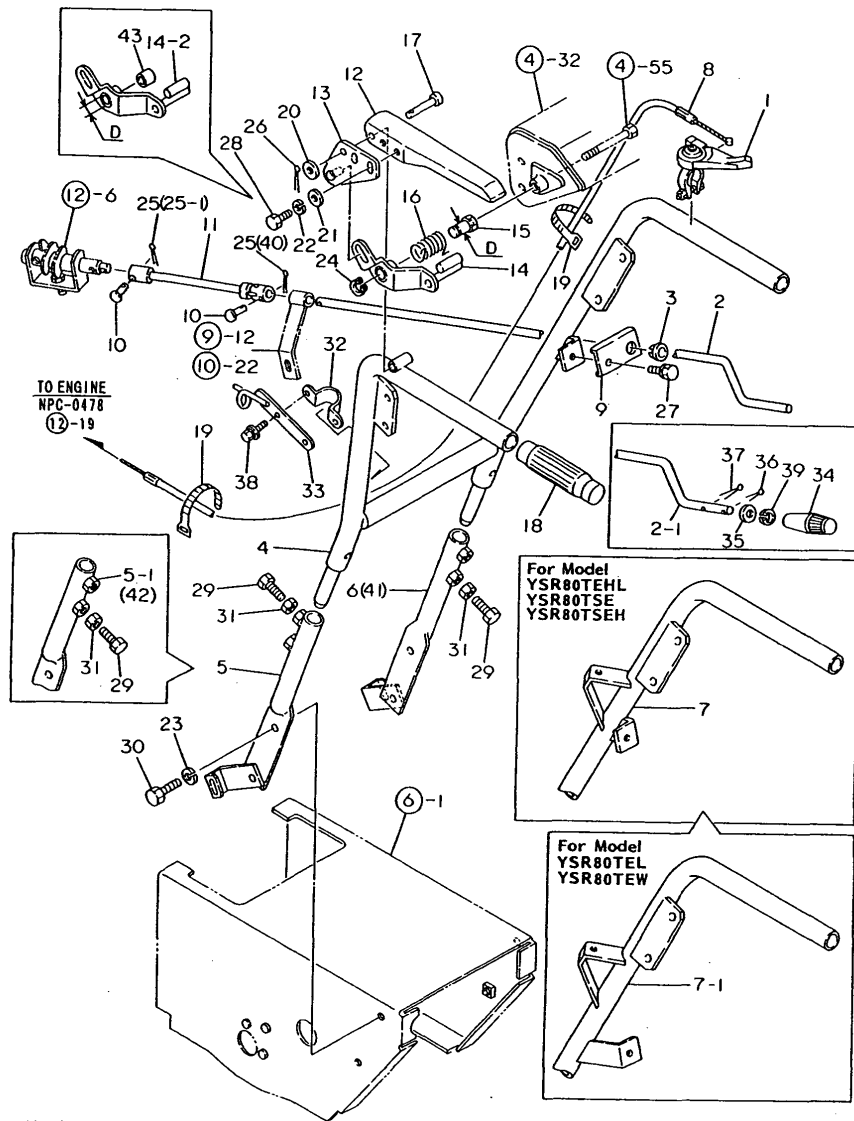
(A)=YSR80TE
(B)=YSR80TEHL
(C)=YSR80TSE

(D)=YSR80TSEH
(E)=YSR80TEL
(F)=YSR80TEW

No.	Lev.	Parts No.	Description	Qty						I	R
				(A)	(B)	(C)	(D)	(E)	(F)		
39	1	22117-060000	WASHER, 6	1	1	1	1	1	1		
40	1	22117-060000	WASHER, 6	1	1	1	1	1	1		
41	1	22117-060000	WASHER, 6	1	1	1	1	1	1		
42	1	22117-080000	WASHER, 8	2	2	2	2	2	2		
43	1	22157-060000	WASHER, 6	1	1	1	1	1	1		
44	1	22157-060000	WASHER, 6	1	1	1	1	1	1		
45	1	22217-080000	WASHER, SPRING 8	2	2	2	2	2	2		
46	1	22272-000070	RING, E- 7	1	1	1	1	1	1		
47	1	22417-200120	COTTER PIN 2.0X12	2	2	2	2				
47-1	1	22417-200120	COTTER PIN 2.0X12	1	1	1	1	1	1		K
		(A=F810001) (B=F810001) (C=F810001) (D=F810001)									
48	1	22417-200120	COTTER PIN 2.0X12	2	2	2	2				
48-1	1	22417-200120	COTTER PIN 2.0X12	1	1	1	1	1	1		K
		(A=F810001) (B=F810001) (C=F810001) (D=F810001)									
49	1	22417-200120	COTTER PIN 2.0X12	1	1	1	1				
49-1	1	22372-060000	PIN, SNAP 6	1	1	1	1	1	1		R
		(A=F810001) (B=F810001) (C=F810001) (D=F810001)									
50	1	22417-200120	COTTER PIN 2.0X12	1	1	1	1	1	1		
51	1	22417-200120	COTTER PIN 2.0X12	1	1	1	1	1	1		
52	1	26016-060164	BOLT 6X16 W/L.W.	2	2	2	2	2	2		
53	1	26016-080204	BOLT M 8X 20	4	4	4	4	4	4		
54	1	26051-080002	NUT, M8	2	2	2	2	2	2		
55	1	26117-080754	BOLT, M8X 75 PLATED	2	2	2	2	2	2		
56	1	26347-080002	NUT, M8	1	1	1	1	1	1		
57	1	26657-080002	NUT, CAP M8	1	1	1	1	1	1		
58	1	26717-080002	NUT, M8	4	4	4	4	4	4		
59	1	26717-080002	NUT, M8	1	1	1	1	1	1		
60	1	26717-080002	NUT, M8	2	2	2	2	2	2		
61	1	26717-080002	NUT, M8	3	3	3	3	3	3		
62	1	26717-080002	NUT, M8	2	2	2	2	2	2		
63	1	22372-060000	PIN, SNAP 6	1	1	1	1	1	1		W
		(A=F810001) (B=F810001) (C=F810001) (D=F810001)									
64	1	22372-080000	PIN, SNAP 8	1	1	1	1	1	1		W
		(A=F810001) (B=F810001) (C=F810001) (D=F810001)									
65	1	24550-012150	BUSH, 12X15		1		1		1		W
		(B=F810102)							(F=F810052)		
66	1	24550-012150	BUSH, 12X15		1		1		1		W
		(B=F810102)							(F=F810052)		

Fig.5. CONTROL 2

5. CONTROL 2



N052045

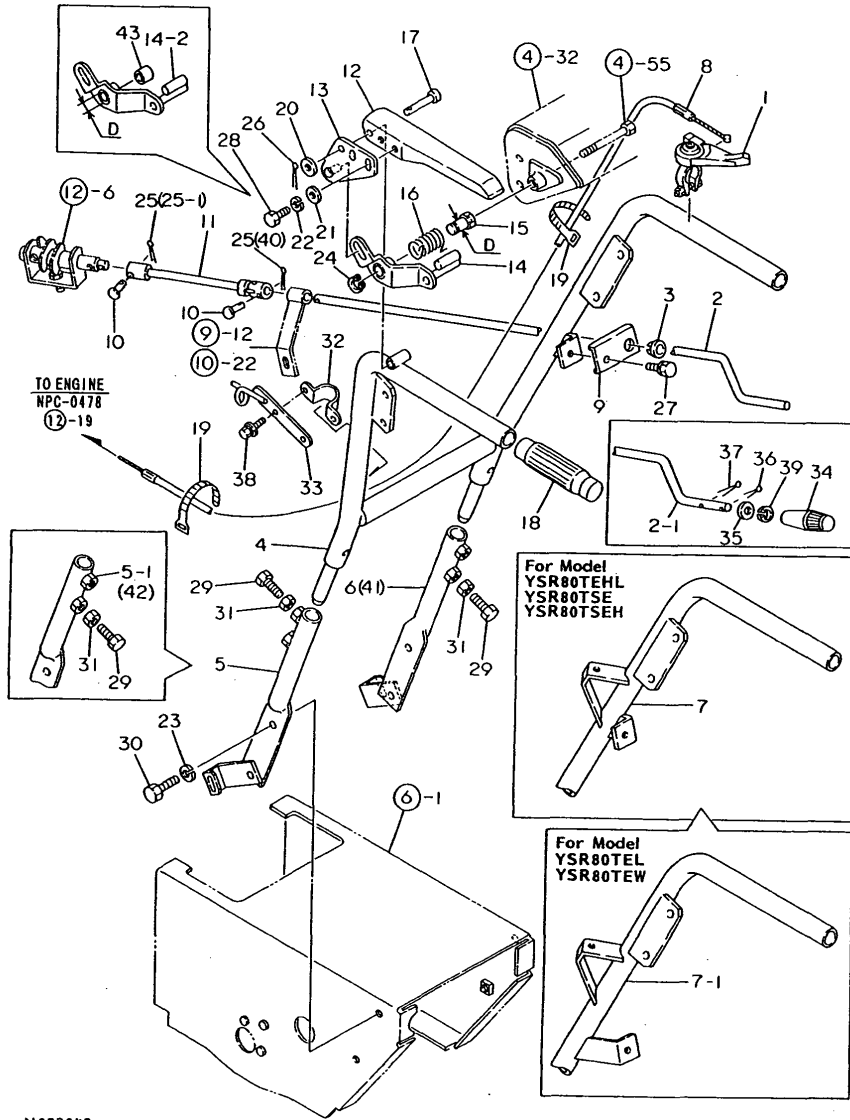
Remarks
 (1)D=15MM FOR REF.NO.14-1 WHILE REF.NO.14-2 HAS D=17MM.
 (2)D=14.9MM FOR REF.NO.15 WHILE REF.NO.15-1 HAS D=17MM.

(A)=YSR80TE
 (B)=YSR80TEHL
 (C)=YSR80TSE
 (D)=YSR80TSEH
 (E)=YSR80TEL
 (F)=YSR80TEW

No.	Lev.	Parts No.	Description	Qty						I	R
				(A)	(B)	(C)	(D)	(E)	(F)		
1	1	1N1570-32620	LEVER,ACCELERATOR	1	1	1	1	1	1		
2	1	1N1711-32760	HANDLE,CHUTE	1	1	1	1				
2-1	1	1N1711-32761	HANDLE,CHUTE	1	1	1	1	1	1	N	
3	1	(A=F810001) 1N1711-32790	BUSH	1	1	1	1	1	1		
4	1	(B=F810001) 1N1711-35000	HANDLE E COMPL.	1							
4-1	1	(C=F810001) 1N1711-35001	HANDLE E COMPL.	1							S
5	1	(D=F810001) 1N1721-35000	SUPPORT L CMP,HANDLE	1	1	1	1				
5-1	1	(A=F810001) 1N1721-35001	SUPPORT L CMP,HANDLE	1	1	1	1	1	1	N	
6	1	(B=F810001) 1N1721-35040	SUPPORT R CMP,HANDLE	1	1	1	1	1	1		
7	1	(C=F810001) 1N1711-35130	HANDLE ES COMPL.	1	1	1	1				
7-1	1	(D=F810001) 1N1711-35131	HANDLE ES COMPL.	1	1	1	1	1	1	S	
8	1	(B=F810001) 1N1711-35300	WIRE E,ACCELERATOR	1	1	1	1	1	1		
9	1	(C=F810001) 1N1710-73140	BEARING,CHUTE HANDLE	1	1	1	1	1	1		
10	1	(D=F810001) 1N1570-73260	RIVET 4X20,ROUND	2	2	2	2	2	2		
11	1	1N1710-73311	ROD,CONNECTING	1	1	1	1	1	1		
12	1	1N1710-82000	CLUTCH GRIP COMP	1	1	1	1	1	1		
13	1	1N1710-82020	LEVER A	1	1	1	1	1	1		
14	1	1N1710-82041	LEVER B	1	1	1	1				
14-1	1	(A=F810001) 1N1710-82042	LEVER B	1	1	1	1	1	1	N	
14-2	1	(B=F810001) 1N1710-82043	LEVER (B)	1			1		1	S	1
15	1	(C=F810001) 1N1710-82110	SHAFT,FULCRUM	1	1	1	1	1	1		
15-1	1	(D=F810041) 1N1710-82111	SHAFT,FULCRUM	1			1		1	S	2
16	1	(F=F810052) 1N1710-82120	RETURN SPRING	1	1	1	1	1	1		
17	1	1N1710-82131	RIVET 8X41	1	1	1	1	1	1		
18	1	1N1710-82140	GRIP BK-8,HANDLE	2	2	2	2	2	2		
19	1	1E6102-84970	BAND 140,WIRE LOCK	2	2	2	2	2	2		
20	1	22117-080000	WASHER, 8	1	1	1	1	1	1		
21	1	22137-060000	WASHER, 6	2	2	2	2	2	2		
22	1	22217-060000	WASHER, SPRING 6	2	2	2	2	2	2		
23	1	22217-100000	WASHER, SPRING 10	4	4	4	4	4	4		
24	1	22242-000150	RING, 15	1	1	1	1	1	1		
25	1	22417-200120	COTTER PIN 2.0X12	2	2	2	2	2	2		
25-1	1	(A=F810001) 22417-200120	COTTER PIN 2.0X12	1	1	1	1	1	1	K	
26	1	(B=F810001) 22417-200160	PIN, COTTER 2.0X16	1	1	1	1	1	1		
27	1	(C=F810001) 26016-080164	BOLT M 8X 16	1	1	1	1	1	1		
28	1	(D=F810001) 26116-060162	BOLT, M6X 16 PLATED	2	2	2	2	2	2		
29	1	26116-100252	BOLT, M10X 25 PLATED	4	4	4	4	4	4		
30	1	26116-100302	BOLT, M10X 30 PLATED	4	4	4	4	4	4		
31	1	26717-100002	NUT, M10	4	4	4	4	4	4		
32	1	1N1710-33230	FITTINGS,STAY	1	1	1	1	1	1	W	
33	1	(A=F810001) 1N1711-35350	HOOK 60E,RECOIL	1	1	1	1	1	1	W	

Fig.5. CONTROL 2

5. CONTROL 2



N052045

Remarks

- (1)D=15MM FOR REF.NO.14-1 WHILE REF.NO.14-2 HAS D=17MM.
- (2)D=14.9MM FOR REF.NO.15 WHILE REF.NO.15-1 HAS D=17MM.

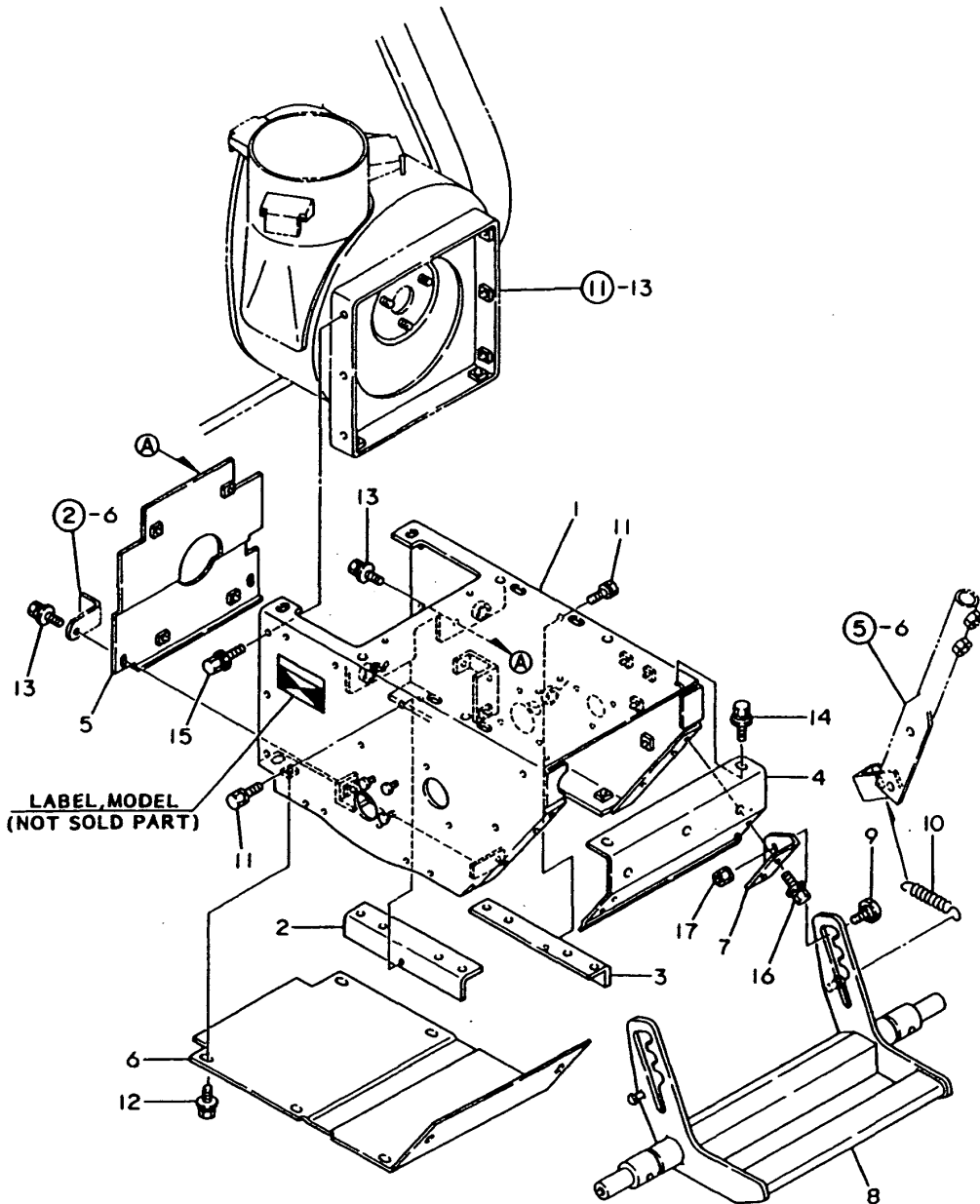
(A)=YSR80TE
(B)=YSR80TEHL
(C)=YSR80TSE

(D)=YSR80TSEH
(E)=YSR80TEL
(F)=YSR80TEW

No.	Lev.	Parts No.	Description	Q'ty						I	R
				(A)	(B)	(C)	(D)	(E)	(F)		
34	1	1N1711-35520	GRIP,SHOOT (A=F810001) (B=F810001) (C=F810001) (D=F810001)	1	1	1	1	1	1	1	W
35	1	22137-100000	WASHER, 10 (A=F810001) (B=F810001) (C=F810001) (D=F810001)	1	1	1	1	1	1	1	W
36	1	22417-200160	PIN, COTTER 2.0X16 (A=F810001) (B=F810001) (C=F810001) (D=F810001)	1	1	1	1	1	1	1	W
37	1	22417-250160	PIN, COTTER 2.5X16 (A=F810001) (B=F810001) (C=F810001) (D=F810001)	1	1	1	1	1	1	1	W
38	1	26018-060202	BOLT, M6X 20 (A=F810001) (B=F810001) (C=F810001) (D=F810001)	2	2	2	2	2	2	2	W
39	1	22292-000110	CIRCLIP 11 (A=F810001) (B=F810001) (C=F810001) (D=F810001)	1	1	1	1	1	1	1	W
40	1	22372-040000	PIN, SNAP 4 (A=F810001) (B=F810001) (C=F810001) (D=F810001)	1	1	1	1	1	1	1	W
41	1	1N1721-35510	SUPPORT.R.CMP,HANDLE								1
42	1	1N1721-35500	SUPPORT L.CMP,HANDLE								1
43	1	24550-015120	BUSH, 15X12 (B=F810102) (D=F810041) (F=F810052)		1			1			1

Fig.6. CHASSIS 1

6 . CHASSIS 1

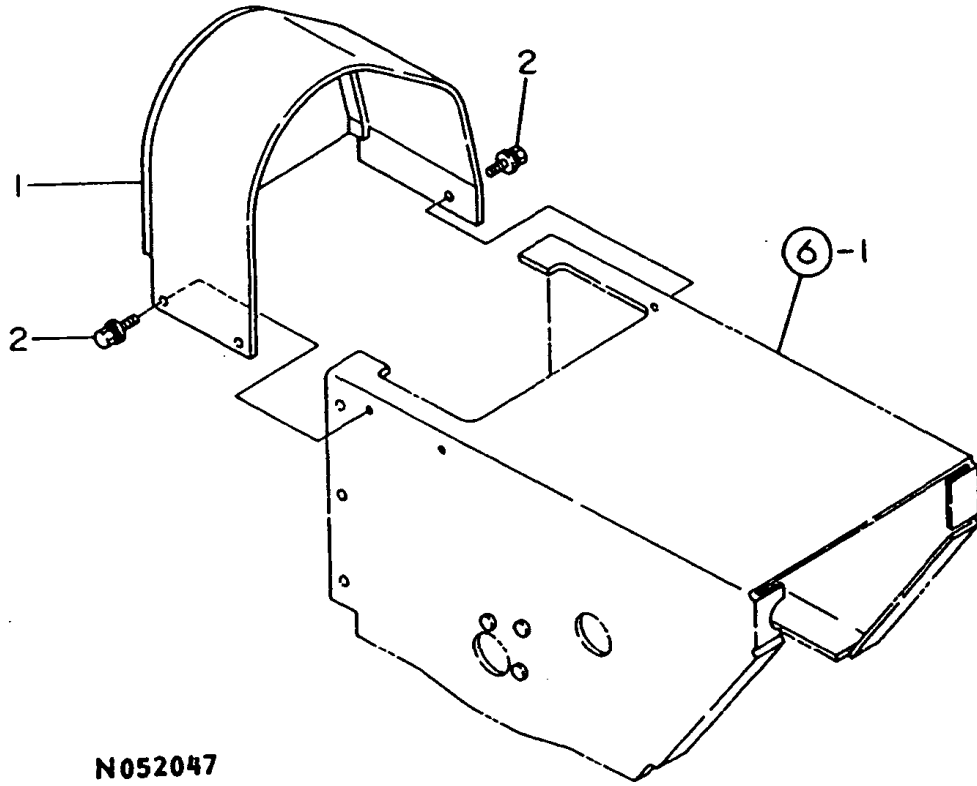


N052046

No.	Lev.	Parts No.	Description	Q'ty						I	R
				(A)	(B)	(C)	(D)	(E)	(F)		
1	1	1N1720-36000	CHASSIS COMPL.	1	1	1	1				
1-1	1	1N1720-36001	CHASSIS COMPL.	1	1	1	1				N
		(A=F810001) (B=F810001) (C=F810001) (D=F810001)									
1-2	1	1N1720-36002	CHASSIS COMPL.	1	1	1	1	1	1	1	N
		(A=F810001) (B=F810001) (C=F810001) (D=F810001)									
2	1	1N1720-36100	BASE L,ENGINE	1	1	1	1	1	1	1	
3	1	1N1720-36120	BOLT 8X16 W/L.W.	1	1	1	1	1	1	1	
4	1	1N1720-36200	PLATE R,CHASSIS	1	1	1	1	1	1	1	
5	1	1N1720-36220	PLATE,SHUT-OFF	1	1	1	1				
5-1	1	1N1720-36221	PLATE,SHUT-OFF	1	1	1	1	1	1	1	S
		(A=F810001) (B=F810001) (C=F810001) (D=F810001)									
6	1	1N1720-36240	PLATE,CHASSIS BOTTOM	1	1	1	1				
6-1	1	1N1720-36241	PLATE,CHASSIS BOTTOM	1	1	1	1				N
		(A=F810001) (B=F810001) (C=F810001) (D=F810001)									
6-2	1	1N1720-36242	PLATE,CHASSIS BOTTOM	1	1	1	1	1	1	1	N
		(A=F810001) (B=F810001) (C=F810001) (D=F810001)									
7	1	1N1720-36250	FIXTURE	2	2	2	2	2		2	
8	1	1N1720-36301	PEDAL COMPL.,FOOT	1	1	1	1				
8-1	1	1N1720-36302	PEDAL COMP.,FOOT	1	1	1	1	1	1		N
		(A=F810001) (B=F810001) (C=F810001) (D=F810001)									
9	1	1N1570-36351	BOLT,REAMER	2	2	2	2	2		2	
10	1	1N1710-36370	SPRING,FOOT	2	2	2	2	2		2	
11	1	26016-080164	BOLT M 8X 16	2	2	2	2	2	2	2	
12	1	26018-060124	BOLT M 6X 12	8	8	8	8	8	8	8	
13	1	26018-060164	BOLT M 6X 16	4	4	4	4	4	4	4	
14	1	26018-080164	BOLT M 8X 16	2	2	2	2	2	2	6	
15	1	26018-080164	BOLT M 8X 16	10	10	10	10	10	10	10	
16	1	26018-080204	BOLT M 8X 20	4	4	4	4	4	4		
17	1	26051-080002	NUT, M8	2	2	2	2	2	2		
17-1	1	26347-080002	NUT, M8	2	2	2	2	2	2		N
		(A=F810001) (B=F810001) (C=F810001) (D=F810001)									

Fig.7. CHASSIS 2

7 . CHASSIS 2



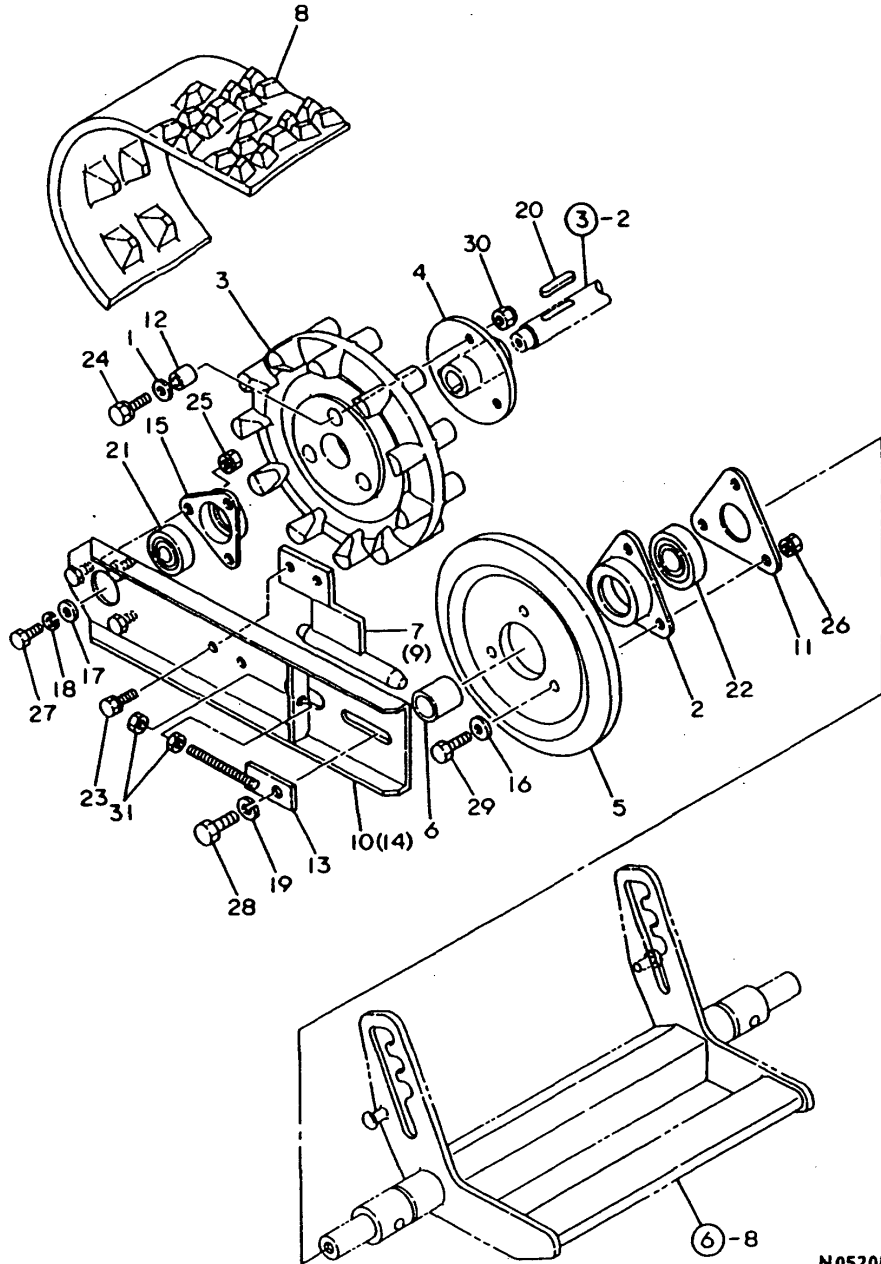
N052047

(A)=YSR80TE
(B)=YSR80TEHL
(C)=YSR80TSE
(D)=YSR80TSEH
(E)=YSR80TEL
(F)=YSR80TEW

No.	Lev.	Parts No.	Description	Q'ty						I	R
				(A)	(B)	(C)	(D)	(E)	(F)		
1	1	1N1720-36500	COVER COMPL.,BELT	1	1	1	1	1	1		
2	1	26018-060124	BOLT M 6X 12	3	3	3	3	3	3		

Fig.8. CRAWLER

8 . CRAWLER



N052048

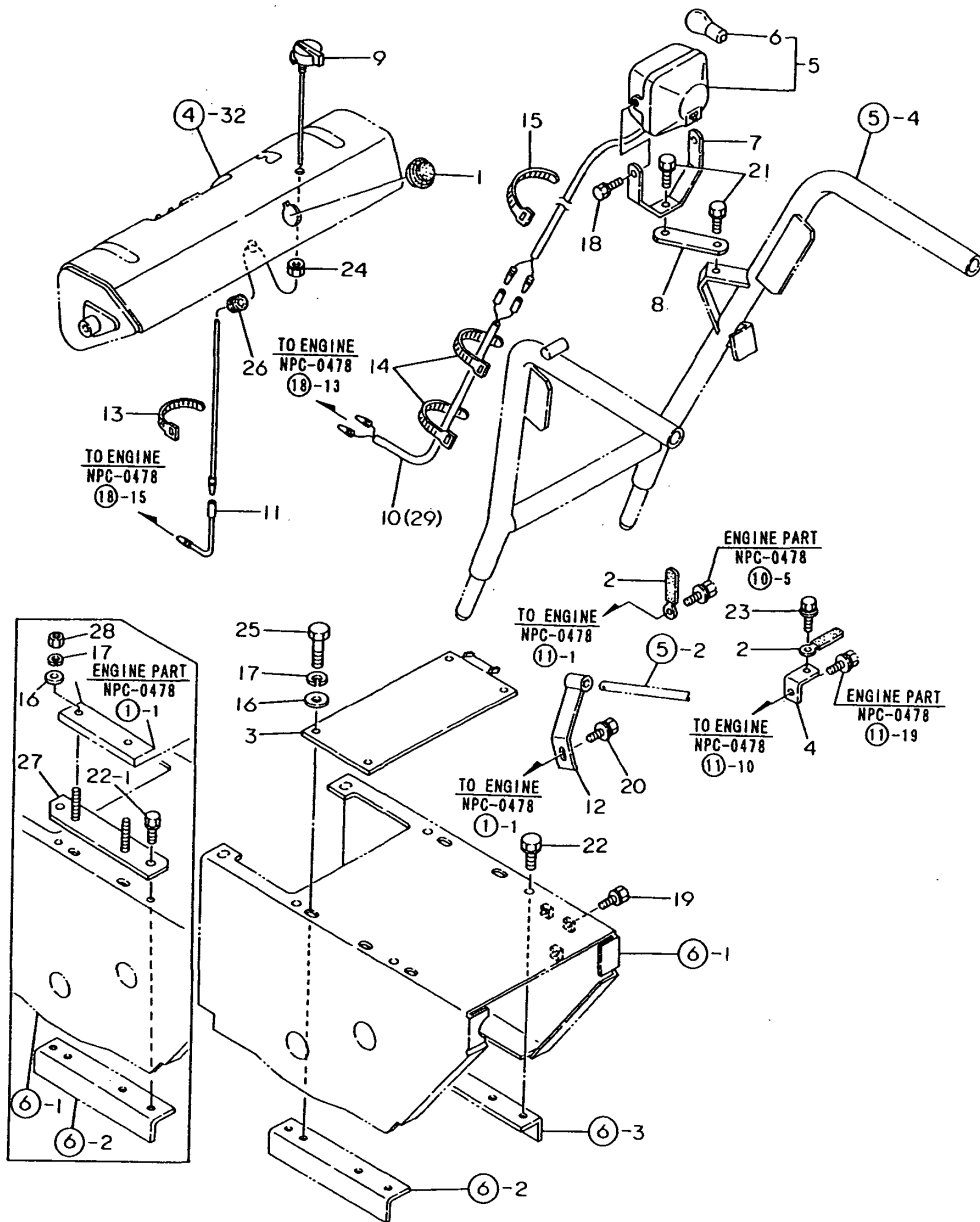
(A)=YSR80TE
(B)=YSR80TEHL
(C)=YSR80TSE

(D)=YSR80TSEH
(E)=YSR80TEL
(F)=YSR80TEW

No.	Lev.	Parts No.	Description	Q'ty						I	R
				(A)	(B)	(C)	(D)	(E)	(F)		
1	1	1J3999-02020	WASHER 8	6	6	6	6	6			
2	1	1J3000-20020	BEARING	2	2	2	2	2			
3	1	1N1570-38000	SPROCKET 11	2	2	2	2	2			
4	1	1N1710-38000	BOSS, SPROCKET	2	2	2	2	2			
5	1	1N1570-38010	RING, TOP	2	2	2	2	2			
6	1	1N1570-38020	COLLAR 21X27X26	2	2	2	2	2			
7	1	1N1710-38020	GUIDE L	1	1	1	1	1			
8	1	1N1570-38030	CRAWLER	2	2	2	2	2			
9	1	1N1710-38040	GUIDE R	1	1	1	1	1			
10	1	1N1570-38050	PLATE L, CRAWLER SIDE	1	1	1	1	1			
11	1	1N1570-38090	PLATE, BEARING KEEP	2	2	2	2	2			
12	1	1N1570-38130	COLLAR 8X14X9	6	6	6	6	6			
13	1	1N1570-38150	BOLT W/PIPE	2	2	2	2	2			
13-1	1	1N1570-38151	BOLT W/PIPE							N	
		(B=F810102)	(D=F810041)								
14	1	1N1570-38180	PLATE R, CRAWLER SIDE	1	1	1	1	1			
15	1	1N1570-38210	BEARING 6203B	2	2	2	2	2			
16	1	22137-080000	WASHER, 8	6	6	6	6	6			
17	1	22157-080000	WASHER, 8	2	2	2	2	2			
18	1	22217-080000	WASHER, SPRING 8	2	2	2	2	2			
19	1	22217-100000	WASHER, SPRING 10	2	2	2	2	2			
20	1	22512-050300	KEY, 5X 30	2	2	2	2	2			
21	1	24104-062034	BEARING, BALL 6203UU	2	2	2	2	2			
22	1	24104-063044	BEARING, BALL 6304UU	2	2	2	2	2			
23	1	26016-080204	BOLT M 8X 20	4	4	4	4	4			
24	1	26016-080302	BOLT, M8X 30	6	6	6	6	6			
25	1	26051-080002	NUT, M8	6	6	6	6	6			
26	1	26051-080002	NUT, M8	6	6	6	6	6			
27	1	26116-080252	BOLT, M8X 25 PLATED	2	2	2	2	2			
28	1	26116-100252	BOLT, M10X 25 PLATED	2	2	2	2	2			
29	1	26117-080252	BOLT M 8X 25 PLATED	6	6	6	6	6			
30	1	26347-080002	NUT, M8	6	6	6	6	6			
31	1	26717-080002	NUT, M8	4	4	4	4	4			

Fig.9. ENGINE & ELECTRICAL PARTS 1

9. ENGINE & ELECTRICAL PARTS 1



(A)=YSR80TE
(B)=YSR80TEHL
(C)=YSR80TSE

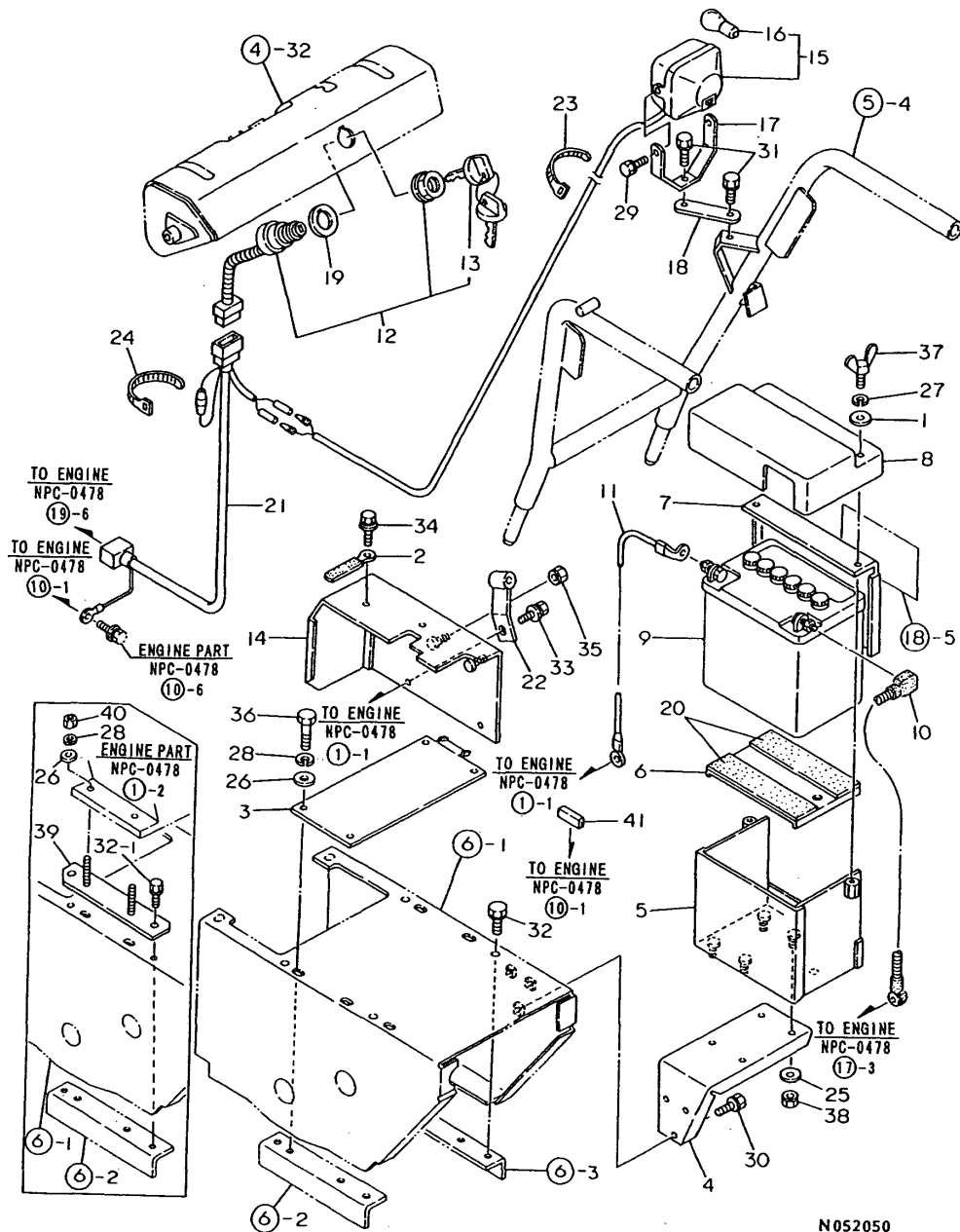
(D)=YSR80TSEH
(E)=YSR80TEL
(F)=YSR80TEW

No.	Lev.	Parts No.	Description	Q'ty						I	R
				(A)	(B)	(C)	(D)	(E)	(F)		
1	1	1N1710-32180	GROMMET W/FILM	1	1			1	1		
2	1	1N1710-32600	CLAMP 8X70	2	2			2	2		
3	1	1N1720-36550	PAN,OIL	1	1						Z
4	1	(A=F810001) 1N1720-51010 (B=F810001)	CLAMP BRACKET	1	1			1	1		
5	1	1N1711-51370	HEADLIGHT COMPL.		1						
5-1	1	1N1711-51850	HEADLIGHT COMPL.		1			1	1		S
6	2	(B=F810001) 1N1730-51131	LAMP 12V-15W G23		1						
6-1	2	1N1711-51860	LAMP 12V-15W G23		1			1	1		S
7	1	(B=F810001) 1N1711-51390	STAY,HEADLIGHT		1				1	1	
8	1	1N1711-51430	STAY TX,HEADLIGHT		1				1	1	
9	1	1N1711-51770	SWITCH,STOR	1	1			1	1		
10	1	1N1711-51780	HARNESS EL,HEADLIGHT		1						Z
11	1	(B=F810001) 1N1711-51790	HARNESS TE	1	1				1	1	
12	1	1N1720-73050	GUIDE,HANDLE	1	1				1	1	
13	1	1E6460-83400	BAND 100	1	1				1	1	
14	1	1E6460-83400	BAND 100	2	2				2	2	
15	1	1E6102-84970	BAND 140,WIRE LOCK		2				2	2	
16	1	22137-100000	WASHER, 10	4	4				4	4	
17	1	22217-100000	WASHER, SPRING 10	4	4				4	4	
18	1	26016-060164	BOLT 6X16 W/L.W.		2				2	2	
19	1	26016-080164	BOLT M 8X 16	3	3				3	3	
20	1	26016-080164	BOLT M 8X 16	1	1				1	1	
21	1	26016-080164	BOLT M 8X 16		2				2	2	
22	1	26016-100164	BOLT, M10X 16	4	4						
22-1	1	26016-100254	BOLT M10X 25	4	4				4	4	N
23	1	(A=F810001) 26018-060164 (B=F810001)	BOLT M 6X 16	1	1						
23-1	1	26018-080164	BOLT M 8X 16	1	1				1	1	S
24	1	(A=F810001) 26051-080002 (B=F810001)	NUT, M8	1	1				1	1	
25	1	26117-100402	BOLT 10X40	4	4						Z
26	1	29311-092000	GROMMET, 8.5X2	1	1				1	1	
27	1	(A=F810001) 1N1721-51250 (B=F810001)	BASE,ENGINE	2	2				2	2	W
28	1	(A=F810001) 26717-100002 (B=F810001)	NUT, M10	4	4				4	4	W
29	1	1N1711-51400	HARNESS A,HEADLIGHT		1				1	1	W

N052049

Fig.10. ENGINE & ELECTRICAL PARTS 2

10. ENGINE & ELECTRICAL PARTS 2

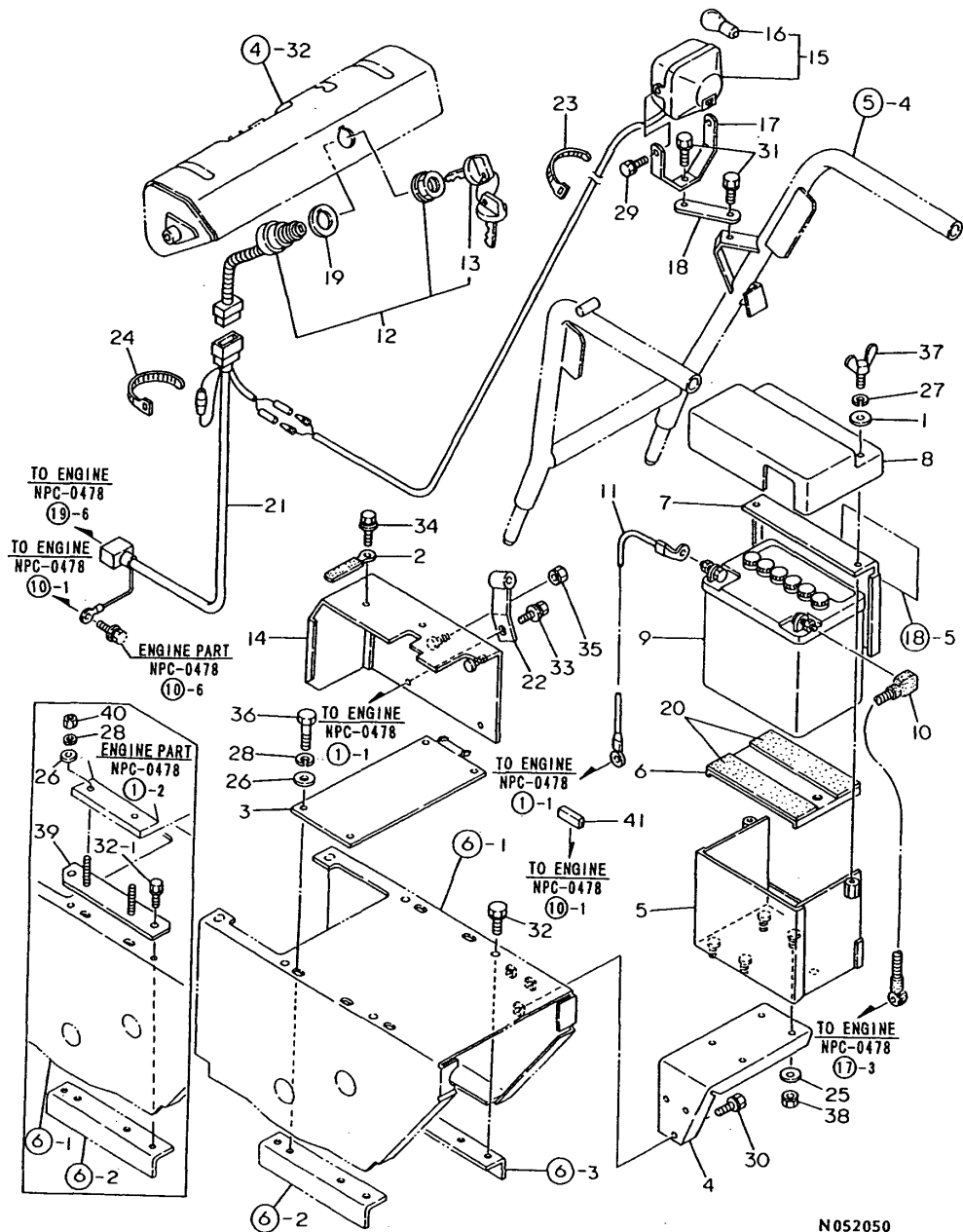


(A)=YSR80TE
(B)=YSR80TEHL
(C)=YSR80TSE
(D)=YSR80TSEH
(E)=YSR80TEL
(F)=YSR80TEW

No.	Lev.	Parts No.	Description	Q'ty						I	R
				(A)	(B)	(C)	(D)	(E)	(F)		
1	1	1J3999-02010	WASHER 6			2	2				
2	1	1N1710-32600	CLAMP 8X70			1	1				
3	1	1N1720-36550	PAN,OIL			1	1				Z
4	1	1N1721-51030	MOUNT,BATTERY (C=F810001) (D=F810001)			1	1				
5	1	1N1721-51060	CASE COMP.,BATTERY			1	1				
6	1	1N1721-51130	PLATE 80,BATTERY BTM			1	1				
7	1	1N1721-51160	PLATE 80,KEEP			1	1				
8	1	1N1721-51190	COVER 80,BATTERY			1	1				
9	1	1N1720-51210	BATTERY			1	1				
10	1	1N1720-51221	CABLE,BATTERY POS.			1	1				
11	1	1N1720-51233	CABLE,BATTERY EARTH			1	1				
12	1	1N1711-51250	SWITCH COMPL.,KEY			1	1				
13	2	1N1711-51240	KEY			1	1				
14	1	1N1720-51351	COVER,STARTING MOTOR			1	1				
14-1	1	1N1720-51352	COVER,STARTING MOTOR (C=F810001) (D=F810001)			1	1				R
15	1	1N1711-51370	HEADLIGHT COMPL.			1	1				
15-1	1	1N1711-51850	HEADLIGHT COMPL. (C=F810001) (D=F810001)			1	1				S
16	2	1N1730-51131	LAMP 12V-15W G23			1	1				
16-1	2	1N1711-51860	LAMP 12V-15W G23 (C=F810001) (D=F810001)			1	1				S
17	1	1N1711-51390	STAY,HEADLIGHT			1	1				
18	1	1N1711-51430	STAY TX,HEADLIGHT			1	1				
19	1	1N1710-51520	SPACER,SWITCH			1	1				
20	1	1N1720-51550	RUBBER,LINING			2	2				
21	1	1N1721-51630	HARNESS E			1	1				
22	1	1N1720-73100	GUIDE,HANDLE			1	1				
23	1	1E6102-84970	BAND 140,WIRE LOCK			1	1				
24	1	1E6102-84970	BAND 140,WIRE LOCK			2	2				
25	1	22137-080000	WASHER, 8			4	4				
26	1	22137-100000	WASHER, 10			4	4				
27	1	22217-060000	WASHER, SPRING 6			2	2				
28	1	22217-100000	WASHER, SPRING 10			4	4				
29	1	26016-060164	BOLT 6X16 W/L.W.			2	2				
30	1	26016-080164	BOLT M 8X 16			3	3				
31	1	26016-080164	BOLT M 8X 16			2	2				
32	1	26016-100164	BOLT, M10X 16			4	4				
32-1	1	26016-100254	BOLT M10X 25 (C=F810001) (D=F810001)			4	4				N
33	1	26018-060164	BOLT M 6X 16			2	2				
34	1	26018-060164	BOLT M 6X 16			1	1				
35	1	26051-060002	NUT, M6			2	2				
36	1	26117-100402	BOLT 10X40 (C=F810001) (D=F810001)			4	4				Z
37	1	26647-060402	BOLT, WING M6X40			2	2				
38	1	26051-080002	NUT, M8			4	4				
39	1	1N1721-51250	BASE,ENGINE (C=F810001) (D=F810001)			2	2				W
40	1	26717-100002	NUT, M10			4	4				W

Fig.10. ENGINE & ELECTRICAL PARTS 2

10. ENGINE & ELECTRICAL PARTS 2



N052050

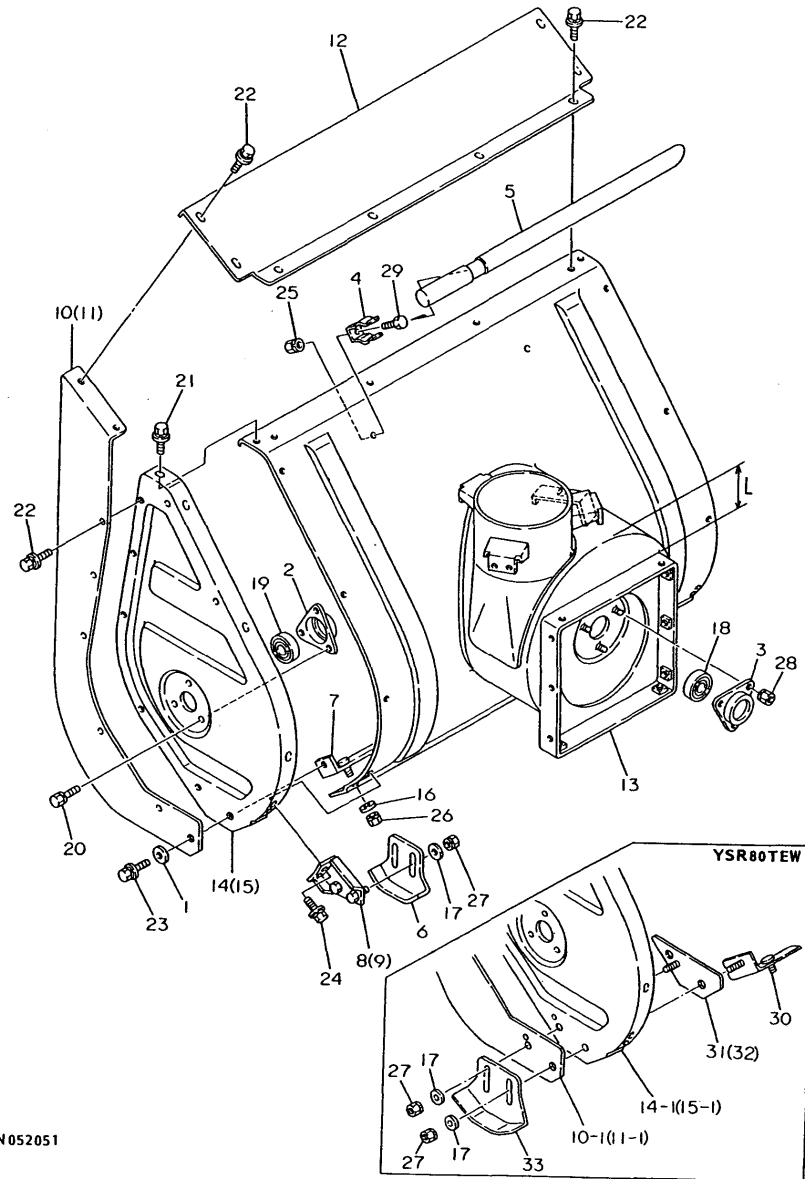
(A)=YSR80TE
(B)=YSR80TEHL
(C)=YSR80TSE

(D)=YSR80TSEH
(E)=YSR80TEL
(F)=YSR80TEW

No.	Lev.	Parts No.	Description	Q'ty						I	R
				(A)	(B)	(C)	(D)	(E)	(F)		
41	1	1N1721-51230	MOLDINGS 30,HOSE (C=F810001) (D=F810001)			1	1				W

Fig.11. SNOW REMOVING FRAME

11 . SNOW REMOVING FRAME



N052051

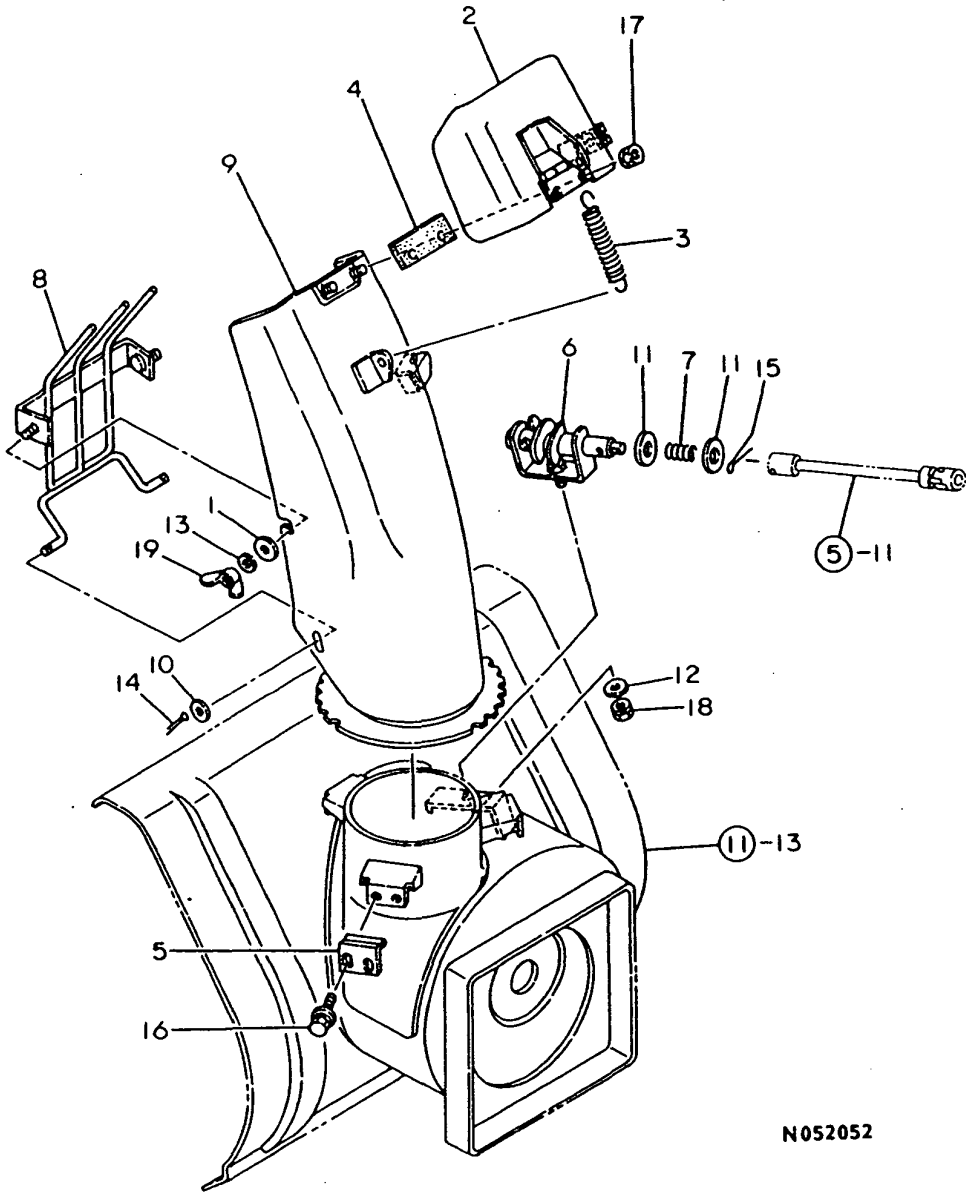
Remarks
 (1) L=85MM FOR REF.NO.13-1 WHILE
 REF.NO.13-2 HAS L=70MM.

(A)=YSR80TE
 (B)=YSR80TEHL
 (C)=YSR80TSE
 (D)=YSR80TSEH
 (E)=YSR80TEL
 (F)=YSR80TEW

No.	Lev.	Parts No.	Description	Qty						I	R
				(A)	(B)	(C)	(D)	(E)	(F)		
1	1	1J3999-02010	WASHER 6	2	2	2	2	2	2		
2	1	1N1570-38200	BEARING 6203C	2	2	2	2	2	2		
3	1	1N1570-38210	BEARING 6203B	1	1	1	1	1	1		
4	1	1N1710-71060	METAL,LOCK	2	2	2	2	2	2		
5	1	1N1710-71071	ROD,SNOW SHOVELING	1	1	1	1	1	1		
6	1	1N1711-71100	GUIDE	2	2	2	2	2	2		
7	1	1N1720-71130	PLATE,BOTTOM	1	1	1	1	1	1		
8	1	1N1570-71200	FITTINGS L,GUIDE	1	1	1	1	1	1		
9	1	1N1570-71230	FITTINGS R,GUIDE	1	1	1	1	1	1		
10	1	1N1720-82001	COVER L COMP.,AUX.	1	1	1	1				
10-1	1	1N1720-82002	COVER L COMP.,AUX.	1	1	1	1	1	1	1	N
		(A=F810001) (B=F810001) (C=F810001) (D=F810001)									
11	1	1N1720-82021	COVER R COMP.,AUX.	1	1	1	1			1	
11-1	1	1N1720-82022	COVER R COMP.,AUX.	1	1	1	1	1	1		N
		(A=F810001) (B=F810001) (C=F810001) (D=F810001)									
12	1	1N1720-82040	SUB AUGER COVER	1	1	1	1	1	1	1	
13	1	1N1720-82201	CASE E COMP.,AUGER	1	1	1	1				
13-1	1	1N1720-82202	CASE COMP,AUGER	1	1	1	1	1	1	1	N
		(A=F810001) (B=F810001) (C=F810001) (D=F810001)									
13-2	1	1N1721-71250	CASE E COMP.,AMGER								1 S 1
											(F=F810052)
14	1	1N1720-82220	PLATE L,AUGER SIDE	1	1	1	1				
14-1	1	1N1720-82221	PLATE L CMP,AUGER SD	1	1	1	1	1	1	1	R
		(A=F810001) (B=F810001) (C=F810001) (D=F810001)									
15	1	1N1720-82240	PLATE R,AUGER SIDE	1	1	1	1				
15-1	1	1N1720-82241	PLATE R CMP,AUGER SD	1	1	1	1	1	1	1	R
		(A=F810001) (B=F810001) (C=F810001) (D=F810001)									
16	1	22137-060000	WASHER, 6	5	5	5	5	5	5	5	
17	1	22137-080000	WASHER, 8	4	4	4	4	4	4	4	
18	1	24104-062034	BEARING, BALL 6203UU	1	1	1	1	1	1	1	
19	1	24104-062034	BEARING, BALL 6203UU	2	2	2	2	2	2	2	
20	1	26016-080164	BOLT M 8X 16	6	6	6	6	6	6	6	
21	1	26018-060124	BOLT M 6X 12	8	8	8	8	8	8	12	
22	1	26018-060124	BOLT M 6X 12	18	18	18	18	18	18	18	
23	1	26018-060124	BOLT M 6X 12	2	2	2	2	2	2		
24	1	26018-060164	BOLT M 6X 16	4	4	4	4	4	4		
25	1	26051-060002	NUT, M6	2	2	2	2	2	2	2	
26	1	26051-060002	NUT, M6	5	5	5	5	5	5	5	
27	1	26051-080002	NUT, M8	4	4	4	4	4	4	4	
28	1	26051-080002	NUT, M8	3	3	3	3	3	3	3	
29	1	26117-060122	BOLT M 6X 12 PLATED	2	2	2	2	2	2	2	
30	1	1N1721-71110	PLATE,BOTTOM								1
31	1	1N1721-71130	FITTINGS L,GUIDE								1
32	1	1N1721-71140	FITTINGS R,GUIDE								1
33	1	1N1730-71451	GUARD								2

Fig.12. CHUTE

12. CHUTE



N052052

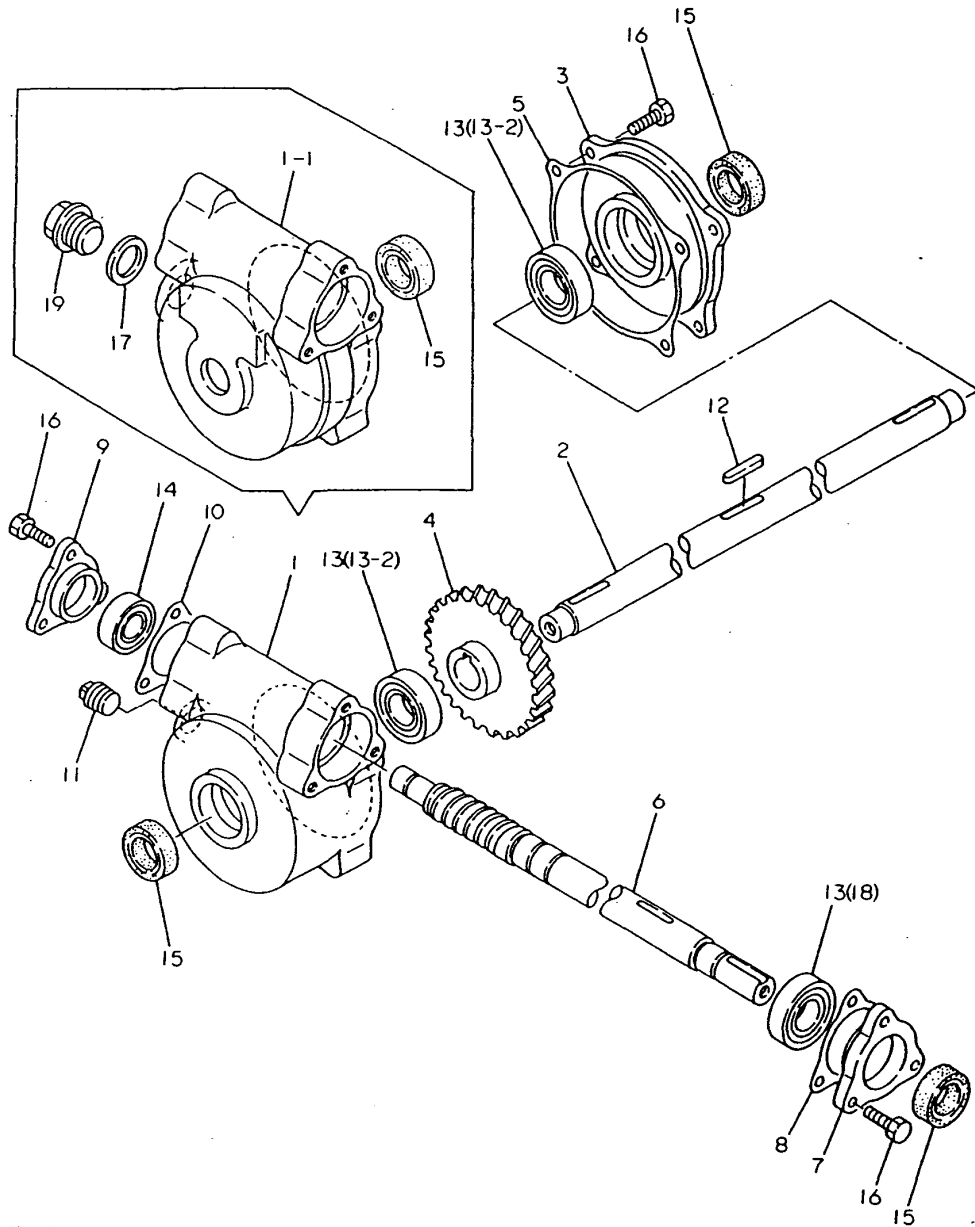
(A)=YSR80TE
(B)=YSR80TEHL
(C)=YSR80TSE

(D)=YSR80TSEH
(E)=YSR80TEL
(F)=YSR80TEW

No.	Lev.	Parts No.	Description	Q'ty						I	R
				(A)	(B)	(C)	(D)	(E)	(F)		
1	1	1J3999-02010	WASHER 6	2	2	2	2				
1-1	1	1N1711-73700	WASHER 6,CONICAL SPR	2	2	2	2	2	2		N
		(A=F810001)	(B=F810001)	(C=F810001)	(D=F810001)						
2	1	1N1710-73101	CAP COMPL,CHUTE	1	1	1	1	1	1		
3	1	1N1570-73150	SPRING,CHUTE	1	1	1	1	1	1		
4	1	1N1710-73150	RUBBER,SNOW PROTECT.	1	1	1	1	1	1		
5	1	1N1570-73160	RETAINER	3	3	3	3	3	3		
6	1	1N1570-73180	SPIRE,CHUTE	1	1	1	1	1	1		
7	1	1N1570-73270	SPRING B 19X28	1	1	1	1	1	1		
8	1	1N1710-82200	GUARD	1	1	1	1	1	1		
9	1	1N1710-82701	CHUTE E COMPL.	1	1	1	1				
9-1	1	1N1710-82702	CHUTE E COMPL.	1	1	1	1	1	1		N
		(A=F810001)	(B=F810001)	(C=F810001)	(D=F810001)						
10	1	22117-060000	WASHER, 6	2	2	2	2	2	2		
11	1	22117-140000	WASHER, 14	2	2	2	2	2	2		
12	1	22137-080000	WASHER, 8	1	1	1	1	1	1		
13	1	22217-060000	WASHER, SPRING 6	2	2	2	2	2	2		
14	1	22417-200120	COTTER PIN 2.0X12	2	2	2	2	2	2		
15	1	22417-320220	PIN, COTTER 3.2X22	1	1	1	1	1	1		
16	1	26018-060164	BOLT M 6X 16	6	6	6	6	6	6		
17	1	26051-060002	NUT, M6	2	2	2	2	2	2		
18	1	26051-080002	NUT, M8	1	1	1	1	1	1		
19	1	26635-060002	NUT, WING M6	2	2	2	2	2	2		

Fig.13. GEAR CASE

13. GEAR CASE



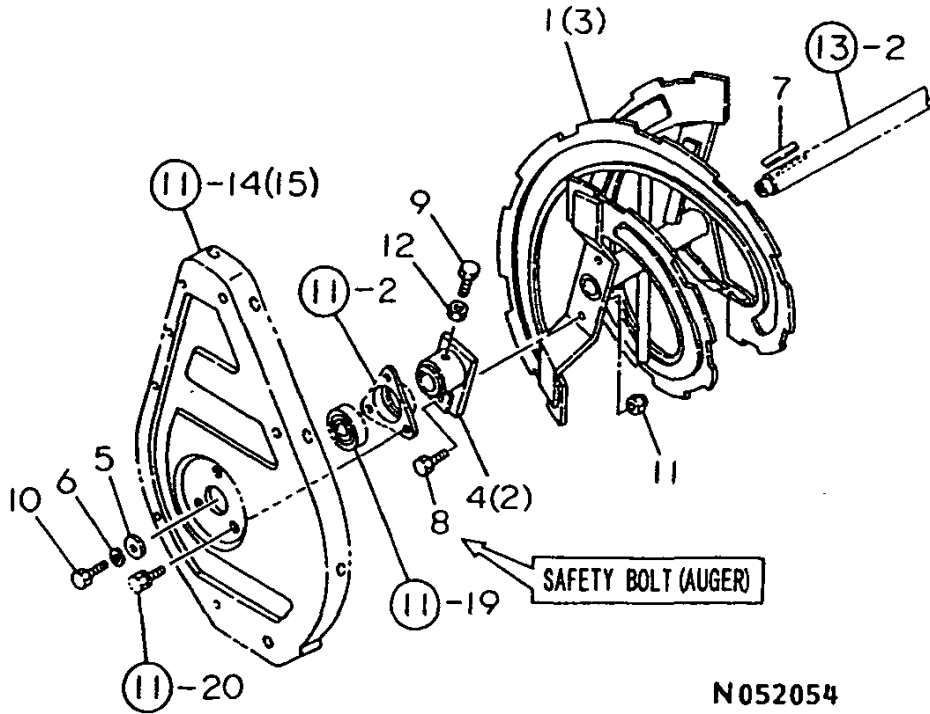
(A)=YSR80TE
(B)=YSR80TEHL
(C)=YSR80TSE

(D)=YSR80TSEH
(E)=YSR80TEL
(F)=YSR80TEW

No.	Lev.	Parts No.	Description	Q'ty						I	R
				(A)	(B)	(C)	(D)	(E)	(F)		
1	1	1N1710-74000	CASE,GEAR	1	1	1	1				
1-1	1	1N1710-74001	CASE,GEAR	1	1	1	1	1	1	1	S
		(A=F810001) (B=F810001) (C=F810001) (D=F810001)									
1-2	1	1N1710-74002	CASE,GEAR		1		1			1	R
		(B=F810102) (D=F810041) (F=F810052)									
2	1	1N1720-74000	SHAFT,AUGER	1	1	1	1	1	1	1	
3	1	1N1710-74010	COVER C,KEEP	1	1	1	1				
3-1	1	1N1710-74011	COVER C,KEEP	1	1	1	1	1	1	1	S
		(A=F810001) (B=F810001) (C=F810001) (D=F810001)									
3-2	1	1N1710-74012	COVER C,SNAP-IN		1		1			1	R
		(B=F810102) (D=F810041) (F=F810052)									
4	1	1N1710-74020	WHEEL,WORM	1	1	1	1				
4-1	1	1N1710-74021	WHEEL,WORM	1	1	1	1	1	1	1	S
		(A=F810001) (B=F810001) (C=F810001) (D=F810001)									
5	1	1N1570-74050	PACKING C	1	1	1	1	1	1	1	
6	1	1N1721-74050	SHAFT E,WORM	1	1	1	1				
6-1	1	1N1721-74051	SHAFT E,WORM	1	1	1	1	1	1	1	S
		(A=F810001) (B=F810001) (C=F810001) (D=F810001)									
7	1	1N1570-74110	COVER A,KEEP	1	1	1	1	1	1	1	
8	1	1N1570-74120	PACKING A	1	1	1	1	1	1	1	
9	1	1N1570-74130	COVER B,KEEP	1	1	1	1	1	1	1	
10	1	1N1570-74140	PACKING B	1	1	1	1	1	1	1	
11	1	1N1570-74150	PLUG	1	1	1	1				
11-1	1	23490-240002	PLAG (ASSY24	1	1	1	1	1	1	1	S
		(A=F810001) (B=F810001) (C=F810001) (D=F810001)									
11-2	1	23490-240002	PLAG (ASSY24	1	1	1	1	1	1	1	Z
		(A=F810001) (B=F810001) (C=F810001) (D=F810001)									
12	1	22512-050300	KEY, 5X 30		1	1	1	1	1	1	
13	1	24107-060044	BEARING, BALL 6004ZZ	3	3	3	3				
13-1	1	24101-060044	BEARING, BALL 6004	3	3	3	3				S
		(A=F810001) (B=F810001) (C=F810001) (D=F810001)									
13-2	1	24101-060044	BEARING, BALL 6004	2	2	2	2	2	2	2	K
		(A=F810001) (B=F810001) (C=F810001) (D=F810001)									
14	1	24107-062024	BEARING, BALL 6202ZZ	1	1	1	1				
14-1	1	24101-062024	BEARING, BALL 6202	1	1	1	1				S
		(A=F810001) (B=F810001) (C=F810001) (D=F810001)									
14-2	1	24107-062024	BEARING, BALL 6202ZZ	1	1	1	1	1	1	1	N
		(A=F810001) (B=F810001) (C=F810001) (D=F810001)									
15	1	24421-203508	SEAL, OIL TC203508	3	3	3	3	3	3	3	
16	1	26016-060204	BOLT M 6X 20	10	10	10	10	10	10	10	
17	1	1N1711-74010	PACKING 20X28X2,CU	1	1	1	1	1	1	1	W
		(A=F810001) (B=F810001) (C=F810001) (D=F810001)									
18	1	24107-060044	BEARING, BALL 6004ZZ	1	1	1	1	1	1	1	W
		(A=F810001) (B=F810001) (C=F810001) (D=F810001)									
19	1	1N1711-74000	BOLT,DRAIN	1	1	1	1	1	1	1	W
		(A=F810001) (B=F810001) (C=F810001) (D=F810001)									

Fig.14. AUGER

14. AUGER



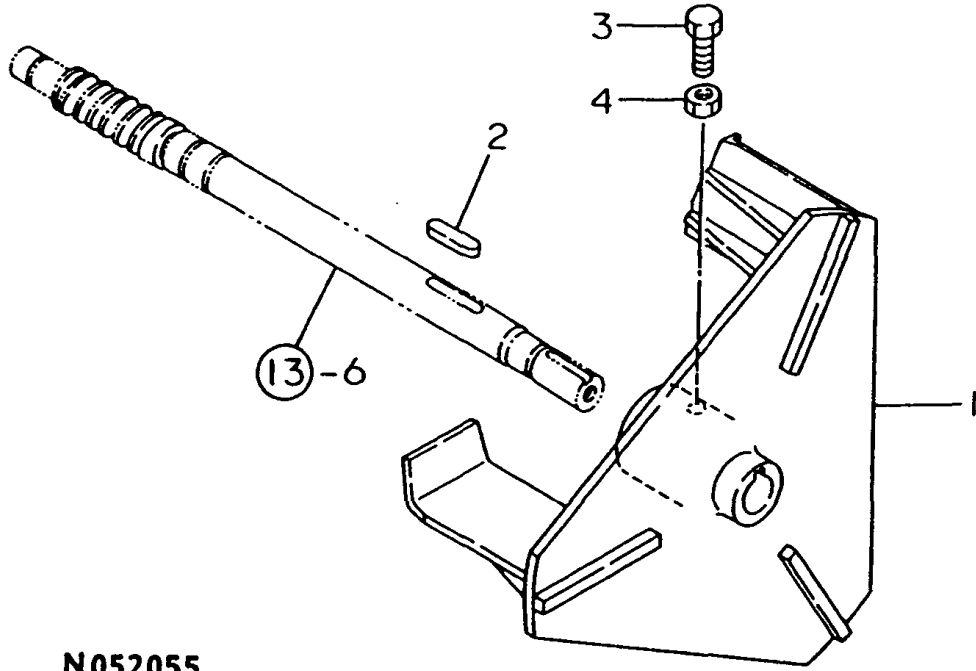
(A)=YSR80TE
(B)=YSR80TEHL
(C)=YSR80TSE

(D)=YSR80TSEH
(E)=YSR80TEL
(F)=YSR80TEW

No.	Lev.	Parts No.	Description	Qty						I	R
				(A)	(B)	(C)	(D)	(E)	(F)		
1	1	1N1720-75001	AUGER L	1	1	1	1	1	1		
2	1	1N1710-75041	FLANGE R	1	1	1	1	1	1		
3	1	1N1720-75101	AUGER R	1	1	1	1	1	1		
4	1	1N1570-75151	FLANGE L	1	1	1	1	1	1		
5	1	22157-080000	WASHER, 8	2	2	2	2	2	2		
6	1	22217-080000	WASHER, SPRING 8	2	2	2	2	2	2		
7	1	22512-050300	KEY, 5X 30	2	2	2	2	2	2		
8	1	26116-060202	BOLT, M6X 20 PLATED	2	2	2	2	2	2		
9	1	26116-080162	BOLT, M8X 16 PLATED	2	2	2	2	2	2		
10	1	26116-080252	BOLT, M8X 25 PLATED	2	2	2	2	2	2		
11	1	26347-060002	NUT, M6	2	2	2	2	2	2		
12	1	26717-080002	NUT, M8	2	2	2	2	2	2		

Fig.15. BLOWER

15. BLOWER



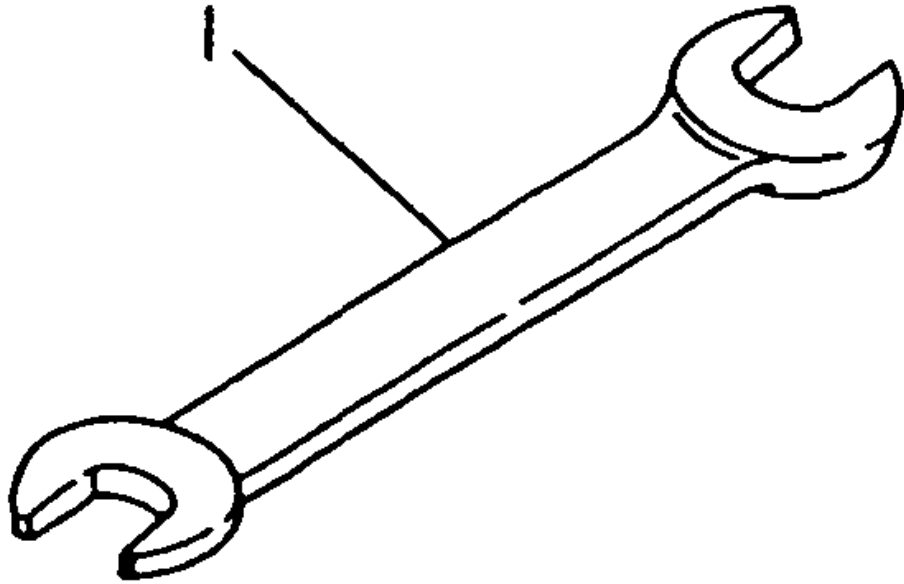
N052055

(A)=YSR80TE
(B)=YSR80TEHL
(C)=YSR80TSE
(D)=YSR80TSEH
(E)=YSR80TEL
(F)=YSR80TEW

No.	Lev.	Parts No.	Description	Q'ty						I	R
				(A)	(B)	(C)	(D)	(E)	(F)		
1	1	1N1721-76000	BLOWER COMPL	1	1	1	1	1	1		
2	1	22512-050300	KEY, 5X 30	1	1	1	1	1	1		
3	1	26116-080202	BOLT, M8X 20 PLATED	1	1	1	1	1	1		
4	1	26717-080002	NUT, M8	1	1	1	1	1	1		

Fig.16. TOOLS

16 . TOOLS



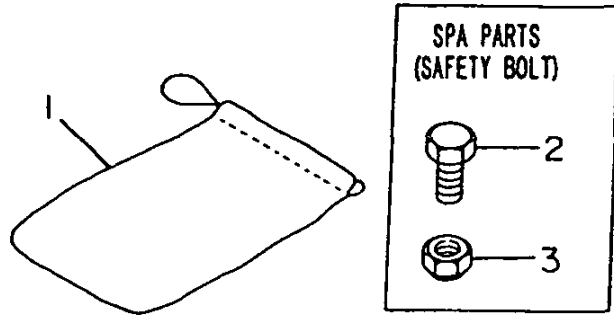
(A)=YSR80TE
(B)=YSR80TEHL
(C)=YSR80TSE

(D)=YSR80TSEH
(E)=YSR80TEL
(F)=YSR80TEW

No.	Lev.	Parts No.	Description	Q'ty						I	R
				(A)	(B)	(C)	(D)	(E)	(F)		
1	1	28110-100120	SPANNER, 10X12	1	1	1	1	1	1		

Fig.17. ACCESSORIES E

17. ACCESSORIES E

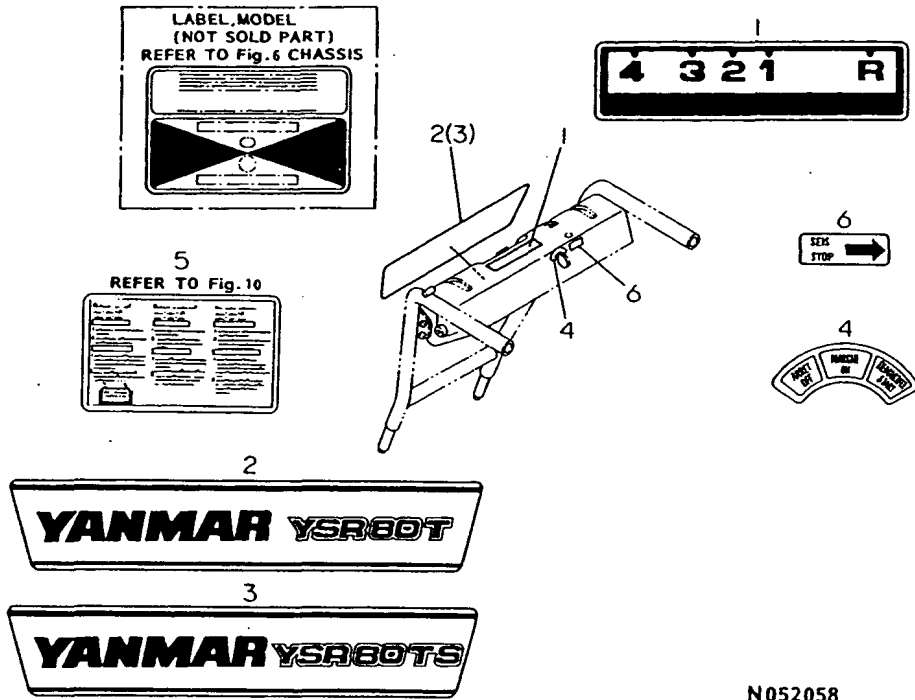


No.	Lev.	Parts No.	Description	Qty						I	R
				(A)	(B)	(C)	(D)	(E)	(F)		
1	1	1F1150-92000	BAG,TOOL	1	1	1	1	1	1		
2	1	26116-060202	BOLT, M6X 20 PLATED	10	10	10	10	10	10		1
3	1	26347-060002	NUT, M6	10	10	10	10	10	10		1

Remarks
 (1) IT IS A SPARE PART FOR SAFETY BOLT, GROUP NO.14, REF. NO.8.

Fig.18. MARKS

18 . MARKS



N052058

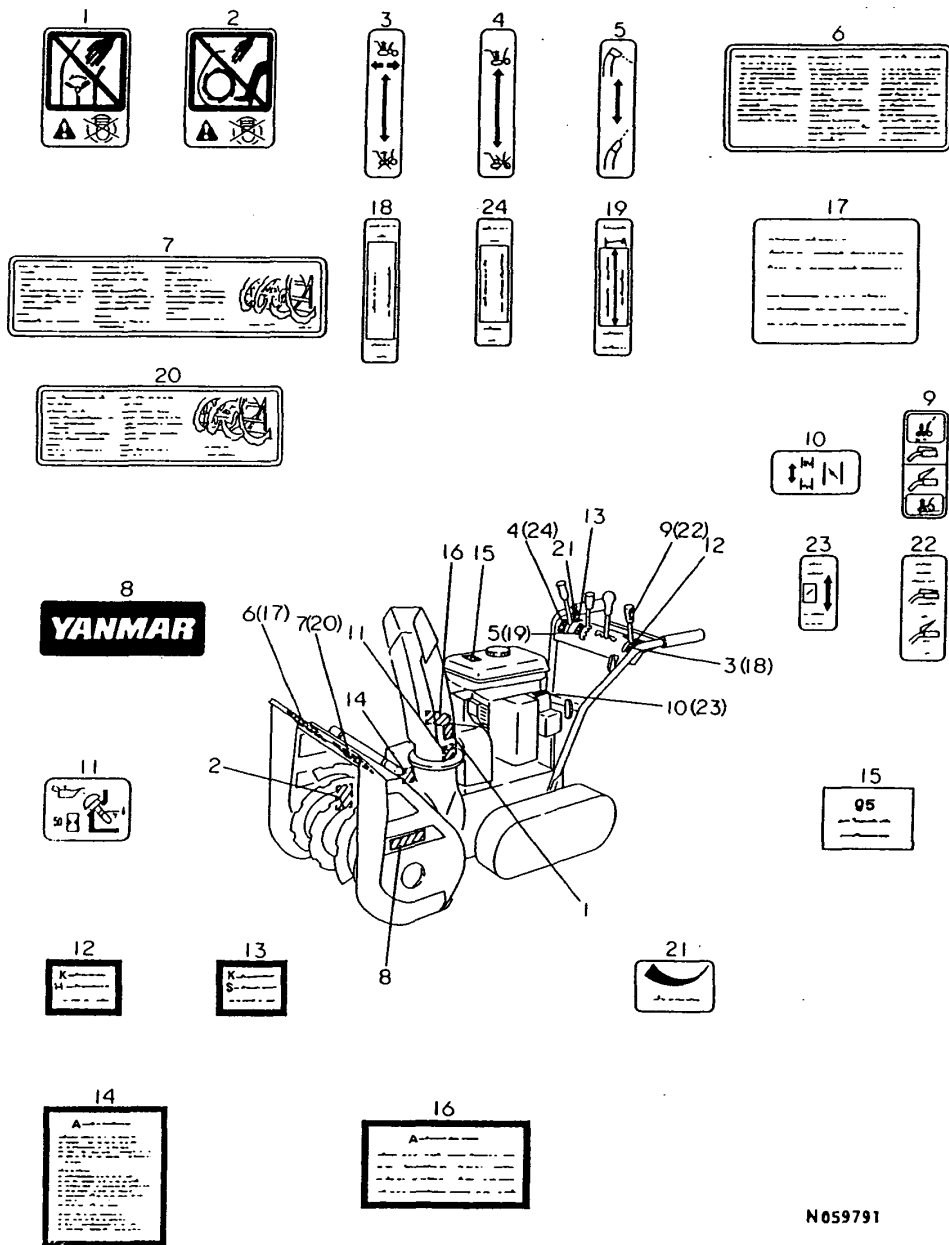
(A)=YSR80TE
(B)=YSR80TEHL
(C)=YSR80TSE

(D)=YSR80TSEH
(E)=YSR80TEL
(F)=YSR80TEW

No.	Lev.	Parts No.	Description	Q'ty						I	R
				(A)	(B)	(C)	(D)	(E)	(F)		
1	1	1N1710-67150	MARK B,CHANGE	1	1	1	1	1	1		
2	1	1N1720-67390	MARK "YSR80T",MODEL	1	1				1	1	
3	1	1N1720-67400	MARK "YSR80TS",MODEL			1	1				
4	1	1N1711-68170	MARK,SWITCH (D=F810001)				1				W
5	1	1N1711-68180	LABEL,BATTERY CAUT'N (D=F810001)					1			W
6	1	1N1711-68330 (A=F810001) (B=F810001)	MARK,ENGINE STOP	1	1				1	1	W

Fig.19. MARKS 13

19. MARKS 13



(A)=YSR80TE
(B)=YSR80TEHL
(C)=YSR80TSE

(D)=YSR80TSEH
(E)=YSR80TEL
(F)=YSR80TEW

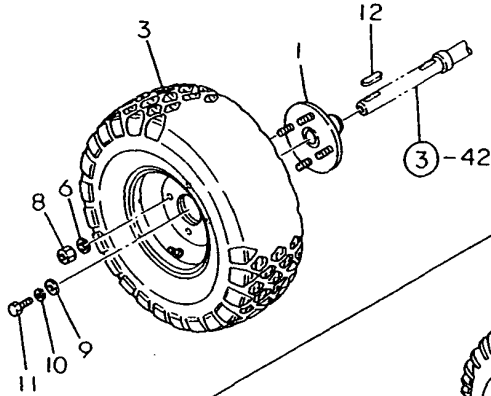
No.	Lev.	Parts No.	Description	Q'ty						I	R
				(A)	(B)	(C)	(D)	(E)	(F)		
1	1	1N1711-68100 (A=F810001) (B=F810001)	MARK,SAFETY CAUTION	1	1		1	1	1	1	W
2	1	1N1711-68110 (A=F810001) (B=F810001)	MARK B,SAFETY CAUT'N	1	1		1	1	1	1	W
3	1	1N1711-68120 (A=F810001) (B=F810001)	MARK,TRAVEL CLUTCH	1	1		1	1	1	1	W
4	1	1N1711-68130 (A=F810001) (B=F810001)	MARK,SNOW REM.CLUCH	1	1		1	1	1	1	W
5	1	1N1711-68140 (A=F810001) (B=F810001)	MARK,SNOW THROW.IND	1	1		1	1	1	1	W
6	1	1N1711-68150 (A=F810001) (B=F810001)	LABEL,CAUTION	1	1		1	1	1	1	W
7	1	1N1711-68160 (A=F810001) (B=F810001)	LABEL,BOLT REPLACMT	1	1		1	1	1	1	W
8	1	1N1711-68190 (A=F810001) (B=F810001)	MARK C "YANMAR"	2	2		2	2	2	2	W
9	1	1N1711-68200 (A=F810001) (B=F810001)	MARK,DEADMAN CLUCH	1	1		1	1	1	1	W
10	1	1N1711-68210 (A=F810001) (B=F810001)	LABEL,CHOKE	1	1		1	1	1	1	W
11	1	1N1711-68220 (A=F810001) (B=F810001)	MARK,OIL CHECK	1	1		1	1	1	1	W
12	1	1N1711-68240 (A=F810001) (B=F810001)	MARK,B,TRAVEL CLUTCH	1	1		1	1	1	1	W
13	1	1N1711-68250 (A=F810001) (B=F810001)	MARK B,SNOW REM,CLTC	1	1		1	1	1	1	W
14	1	1N1711-68260 (A=F810001) (B=F810001)	MARK,AUGER CAUTION	1	1		1	1	1	1	W
15	1	1N1711-68270 (A=F810001) (B=F810001)	MARK,FUEL TANK	1	1		1	1	1	1	W
16	1	1N1711-68280 (A=F810001) (B=F810001)	MARK,CHUTE CAUTION	1	1		1	1	1	1	W
17	1	1N1711-68290 (A=F810001) (B=F810001)	MARK,SAFETY CAUTION	1	1		1	1	1	1	W
18	1	1N1711-68300 (A=F810001) (B=F810001)	MARK C,TRAVEL CLUTCH	1	1		1	1	1	1	W
19	1	1N1711-68310 (A=F810001) (B=F810001)	MARK,SNOW THROW.IND	1	1		1	1	1	1	W
20	1	1N1711-68320 (A=F810001) (B=F810001)	LABEL C,BOLT REPLMT	1	1		1	1	1	1	W
21	1	1N1711-68340 (A=F810001) (B=F810001)	MARK,ACCELERATOR	1	1		1	1	1	1	W
22	1	1N1711-68350 (A=F810001) (B=F810001)	MARK C,DEADMAN CLTCH	1	1		1	1	1	1	W
23	1	1N1711-68360 (A=F810001) (B=F810001)	LABEL C,CHOKE	1	1		1	1	1	1	W
24	1	1N1711-68380 (A=F810001) (B=F810001)	MARK C,SNOW REW,CLTC	1	1		1	1	1	1	W

N059791

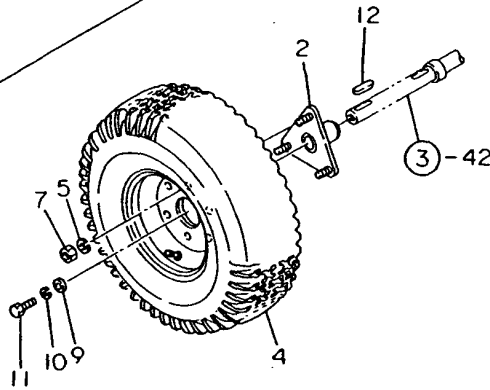
Fig.20. TIRE (ADDED GROUP)

20 . TIRE (ADDED GROUP)

FINLAND,NORWAY TYPE



SWITZERLAND
ITALY TYPE



N059791

(A)=YSR80TE
(B)=YSR80TEHL
(C)=YSR80TSE

(D)=YSR80SEH
(E)=YSR80TEL
(F)=YSR80TEW

No.	Lev.	Parts No.	Description	Q'ty						I	R
				(A)	(B)	(C)	(D)	(E)	(F)		
1	1	1N1711-38000	HUB WITH BEARING								2
2	1	1N1711-38050	HOB								2
3	1	1N1711-38100	TIRE 14,BRIDGESTONE								2
4	1	1N1711-38110	TIRE 14,OTSU								2
5	1	22217-080000	WASHER, SPRING 8								6
6	1	22217-100000	WASHER, SPRING 10								8
7	1	26717-080002	NUT, M8								6
8	1	26717-100002	NUT, M10								8
9	1	22137-080000	WASHER, 8								4
10	1	22217-080000	WASHER, SPRING 8								4
11	1	26116-080252	BOLT, M8X 25 PLATED								4
12	1	22512-050300	KEY, 5X 30								4

Parts No. Index

Parts No.	Fig. No.	Ref. No.
1A1040-58160	4	27
1A1140-58050	4	26
1E6025-65310	4	30
1E6102-84970	5	19
	9	15
	10	23
		24
1E6460-83400	4	36
		37
	9	13
		14
1F1150-64270	4	29
1F1150-92000	17	1
1J3000-20020	8	2
1J3999-02010	10	1
	11	1
	12	1
1J3999-02020	8	1
1N1570-12200	1	6
1N1570-12280	1	11
1N1570-12350	1	16
1N1570-21070	3	9
1N1570-21090	3	11
1N1570-21100	3	13
1N1570-21170	3	14
1N1570-21200	3	15
1N1570-21300	3	18
1N1570-21600	3	20
1N1570-32290	4	3
		4
1N1570-32320	4	6
1N1570-32620	5	1
1N1570-32760	4	9
1N1570-32770	4	10
1N1570-32950	4	12
		13
1N1570-36351	6	9
1N1570-38000	8	3
1N1570-38010	8	5
1N1570-38020	8	6
1N1570-38030	8	8
1N1570-38050	8	10
1N1570-38090	8	11
1N1570-38130	8	12
1N1570-38150	8	13
1N1570-38151	8	13 -1
1N1570-38180	8	14
1N1570-38200	11	2
1N1570-38210	8	15
	11	3

Parts No.	Fig. No.	Ref. No.
1N1570-71200	11	8
1N1570-71230	11	9
1N1570-73150	12	3
1N1570-73160	12	5
1N1570-73180	12	6
1N1570-73260	5	10
1N1570-73270	12	7
1N1570-74050	13	5
1N1570-74110	13	7
1N1570-74120	13	8
1N1570-74130	13	9
1N1570-74140	13	10
1N1570-74150	13	11
1N1570-75151	14	4
1N1710-12240	1	9
1N1710-12320	1	14
1N1710-12400	1	17
1N1710-21001	3	1
1N1710-21010	3	4
1N1710-21021	3	6
1N1710-21022	3	6 -1
1N1710-21320	3	19
1N1710-32150	4	1
1N1710-32180	9	1
1N1710-32280	4	2
1N1710-32380	4	7
1N1710-32600	4	8
	9	2
	10	2
1N1710-32851	4	11
1N1710-32852	4	11 -1
1N1710-32960	4	14
1N1710-32980	4	15
1N1710-33000	4	16
1N1710-33050	4	17
1N1710-33080	4	18
1N1710-33150	4	19
1N1710-33151	4	19 -1
1N1710-33230	5	32
1N1710-36370	6	10
1N1710-38000	8	4
1N1710-38020	8	7
1N1710-38040	8	9
1N1710-51520	10	19
1N1710-67150	18	1
1N1710-71060	11	4
1N1710-71071	11	5
1N1710-73101	12	2
1N1710-73140	5	9
1N1710-73150	12	4

Parts No.	Fig. No.	Ref. No.
1N1710-73311	5	11
1N1710-74000	13	1
1N1710-74001	13	1 -1
1N1710-74002	13	1 -2
1N1710-74010	13	3
1N1710-74011	13	3 -1
1N1710-74012	13	3 -2
1N1710-74020	13	4
1N1710-74021	13	4 -1
1N1710-75041	14	2
1N1710-82000	5	12
1N1710-82020	5	13
1N1710-82041	5	14
1N1710-82042	5	14 -1
1N1710-82043	5	14 -2
1N1710-82081	4	31
1N1710-82082	4	31 -1
1N1710-82110	5	15
1N1710-82111	5	15 -1
1N1710-82120	5	16
1N1710-82131	5	17
1N1710-82140	5	18
1N1710-82200	12	8
1N1710-82250	1	20
1N1710-82251	1	20 -1
1N1710-82401	4	32
1N1710-82421	4	33
1N1710-82422	4	33 -1
1N1710-82441	4	35
1N1710-82701	12	9
1N1710-82702	12	9 -1
1N1711-12010	1	1
1N1711-12030	1	2
1N1711-12200	1	7
		8
1N1711-12280	1	12
1N1711-21520	3	43
1N1711-21530	3	44
1N1711-32760	5	2
1N1711-32761	5	2 -1
1N1711-32790	5	3
1N1711-35000	5	4
1N1711-35001	5	4 -1
1N1711-35130	5	7
1N1711-35131	5	7 -1
1N1711-35200	4	20
1N1711-35210	4	21
1N1711-35211	4	21 -1
1N1711-35220	4	22
1N1711-35250	4	23

Parts No.	Fig. No.	Ref. No.
1N1711-35300	5	8
1N1711-35350	5	33
1N1711-35470	4	35 -1
1N1711-35520	5	34
1N1711-38000	20	1
1N1711-38050	20	2
1N1711-38100	20	3
1N1711-38110	20	4
1N1711-51240	10	13
1N1711-51250	10	12
1N1711-51370	9	5
	10	15
1N1711-51390	9	7
	10	17
1N1711-51400	9	29
1N1711-51430	9	8
	10	18
1N1711-51770	9	9
1N1711-51780	9	10
1N1711-51790	9	11
1N1711-51850	9	5 -1
	10	15 -1
1N1711-51860	9	6 -1
	10	16 -1
1N1711-68100	19	1
1N1711-68110	19	2
1N1711-68120	19	3
1N1711-68130	19	4
1N1711-68140	19	5
1N1711-68150	19	6
1N1711-68160	19	7
1N1711-68170	18	4
1N1711-68180	18	5
1N1711-68190	19	8
1N1711-68200	19	9
1N1711-68210	19	10
1N1711-68220	19	11
1N1711-68240	19	12
1N1711-68250	19	13
1N1711-68260	19	14
1N1711-68270	19	15
1N1711-68280	19	16
1N1711-68290	19	17
1N1711-68300	19	18
1N1711-68310	19	19
1N1711-68320	19	20
1N1711-68330	18	6
1N1711-68340	19	21
1N1711-68350	19	22
1N1711-68360	19	23

Parts No. Index

Parts No.	Fig. No.	Ref. No.
1N1711-68380	19	24
1N1711-71100	11	6
1N1711-73700	12	1 -1
1N1711-74000	13	19
1N1711-74010	13	17
1N1720-12071	1	3
1N1720-12080	1	4
1N1720-12081	1	4 -1
1N1720-12110	1	5
1N1720-12251	1	10
1N1720-12300	1	13
1N1720-12320	1	15
1N1720-21000	3	2
1N1720-21020	3	7
1N1720-21061	3	8
1N1720-21062	3	8 -1
1N1720-21071	3	10
1N1720-21090	3	12
1N1720-21210	3	16
1N1720-21211	3	16 -1
1N1720-21230	3	17
1N1720-21231	3	17 -1
1N1720-32300	4	5
1N1720-36000	6	1
1N1720-36001	6	1 -1
1N1720-36002	6	1 -2
1N1720-36100	6	2
1N1720-36120	6	3
1N1720-36200	6	4
1N1720-36220	6	5
1N1720-36221	6	5 -1
1N1720-36240	6	6
1N1720-36241	6	6 -1
1N1720-36242	6	6 -2
1N1720-36250	6	7
1N1720-36301	6	8
1N1720-36302	6	8 -1
1N1720-36500	7	1
1N1720-36550	9	3
	10	3
1N1720-51010	9	4
1N1720-51210	10	9
1N1720-51221	10	10
1N1720-51233	10	11
1N1720-51351	10	14
1N1720-51352	10	14 -1
1N1720-51550	10	20
1N1720-67390	18	2
1N1720-67400	18	3
1N1720-71130	11	7

Parts No.	Fig. No.	Ref. No.
1N1720-73050	9	12
1N1720-73100	10	22
1N1720-74000	13	2
1N1720-75001	14	1
1N1720-75101	14	3
1N1720-82001	11	10
1N1720-82002	11	10 -1
1N1720-82021	11	11
1N1720-82022	11	11 -1
1N1720-82040	11	12
1N1720-82201	11	13
1N1720-82202	11	13 -1
1N1720-82220	11	14
1N1720-82221	11	14 -1
1N1720-82240	11	15
1N1720-82241	11	15 -1
1N1721-12350	1	1 -1
1N1721-12360	1	8 -1
1N1721-12700	1	18
1N1721-13000	1	19
1N1721-13001	1	19 -1
1N1721-13002	1	19 -2
1N1721-13050	2	1
1N1721-13051	2	1 -1
1N1721-13060	2	2
1N1721-13061	2	2 -1
		2 -2
1N1721-13070	2	12
1N1721-13100	2	3
1N1721-13101	2	3 -1
1N1721-13120	2	4
1N1721-13121	2	4 -1
1N1721-13122	2	4 -2
1N1721-13130	2	5
1N1721-13131	2	5 -1
1N1721-13132	2	5 -2
1N1721-13150	2	6
1N1721-13160	2	7
1N1721-13180	1	43
1N1721-13181	1	43 -1
1N1721-13200	1	45
1N1721-21000	3	3
1N1721-21001	3	3 -1
1N1721-21010	3	5
1N1721-21500	3	42
1N1721-34140	4	5 -1
1N1721-35000	5	5
1N1721-35001	5	5 -1
1N1721-35040	5	6
1N1721-35500	5	42

Parts No.	Fig. No.	Ref. No.
1N1721-35510	5	41
1N1721-51030	10	4
1N1721-51060	10	5
1N1721-51130	10	6
1N1721-51160	10	7
1N1721-51190	10	8
1N1721-51230	10	41
1N1721-51250	9	27
	10	39
1N1721-51630	10	21
1N1721-71110	11	30
1N1721-71130	11	31
1N1721-71140	11	32
1N1721-71250	11	13 -2
1N1721-74050	13	6
1N1721-74051	13	6 -1
1N1721-76000	15	1
1N1730-51131	9	6
	10	16
1N1730-71451	11	33
1S0139-42150	4	24
		25
1S6002-61160	4	28
22117-060000	1	21
	4	38
		39
		40
		41
	12	10
22117-080000	4	42
	5	20
22117-140000	12	11
22137-060000	5	21
	11	16
22137-080000	1	46
	8	16
	10	25
	11	17
	12	12
	20	9
22137-100000	5	35
	9	16
	10	26
22157-060000	4	43
		44
22157-080000	1	22
		23
	3	21
	8	17
	14	5

Parts No.	Fig. No.	Ref. No.
22217-060000	5	22
	10	27
	12	13
22217-080000	1	24
		25
	4	45
	8	18
	14	6
	20	5
		10
22217-100000	5	23
	8	19
	9	17
	10	28
	20	6
22242-000120	3	22
22242-000150	1	26
		27
	3	23
	5	24
22242-000190	3	24
22242-000250	3	25
22252-000350	1	28
		29
22272-000070	4	46
22292-000110	5	39
22351-060025	3	26
22372-040000	5	40
22372-060000	4	49 -1
		63
22372-080000	4	64
22417-200120	1	30
	4	47
		47 -1
		48
		48 -1
		49
		50
		51
	5	25
		25 -1
	12	14
22417-200160	5	26
		36
22417-250160	5	37
22417-320220	12	15
22512-050150	1	31
22512-050300	1	32
	3	27
	8	20

Parts No. Index

Parts No.	Fig. No.	Ref. No.
22512-050300	13	12
	14	7
	15	2
	20	12
23490-240002	13	11 -1
		11 -2
24101-060044	13	13 -1
24101-062024		13 -2
		14 -1
24104-060024	3	28
24104-060034		29
	1	33
24104-060044	3	30
24104-062024		31
	3	29 -1
	8	21
24104-062034	11	18
24104-063044		19
	8	22
24107-060044	13	13
24107-062020		18
	1	34
24107-062024		35
	13	14
24421-203508		14 -2
		15
24550-012150	4	65
24550-015120		66
	5	43
24550-015150	3	32
25122-003401		33
	2	8
25122-003601	2	9
25123-003001	2	10
25123-003101	2	10 -1
25123-003201	2	10 -2
26016-060164	3	34
	4	52
	9	18
	10	29
26016-060204	3	35
		36
26016-080162		13
	1	16
26016-080164	5	44
	5	27
	6	11
	9	19
		20
	21	
	10	30

Parts No.	Fig. No.	Ref. No.
26016-080164	10	31
	11	20
26016-080204	3	37
	4	53
	8	23
	8	24
26016-080302	8	24
26016-100164	9	22
	10	32
26016-100254	9	22 -1
	10	32 -1
26018-060124	1	36
	6	12
26018-060164	7	2
	11	21
		22
26018-060202		23
	6	13
	9	23
	10	33
26018-060220		34
	11	24
26018-080164	12	16
	5	38
26018-080204	6	14
		15
26018-080204	9	23 -1
	2	11
26051-060002	6	16
	3	38
26051-080002	10	35
	11	25
26051-080002		26
	12	17
26051-080002	1	47
	4	54
26116-060162	6	17
	8	25
26116-060202		26
	9	24
26116-080162	10	38
	11	27
26116-080202		28
	12	18
26116-080162	5	28
	14	8
26116-080202	17	2
	14	9
26116-080202	1	37
		38
	3	39

Parts No.	Fig. No.	Ref. No.
26116-080202	15	3
26116-080252	1	39
		40
26116-100252	8	27
	14	10
	20	11
26116-100302	5	29
	8	28
26117-060122	5	30
26117-080252	11	29
26117-080754	8	29
26117-100402	4	55
	9	25
26347-060002	10	36
	14	11
26347-080002	17	3
	3	37 -1
26635-060002	4	56
	6	17 -1
26647-060402	8	30
	12	19
26657-080002	10	37
26717-060002	4	57
26717-080002	3	40
	1	41
26717-100002		42
	3	41
26717-100002	4	58
		59
26717-100002		60
	8	31
26717-100002	14	12
	15	4
26717-100002	20	7
	5	31
26717-100002	9	28
	10	40
26717-100002	20	8
	16	1
28110-100120	9	26
29311-092000		

Parts No.	Fig. No.	Ref. No.
-----------	----------	----------